

### Contents

#### ERIKS RX® pressure hoses

MULTIBAR/RAUFILAM .....	2
MULTIBAR/TX .....	3
MULTIPUR .....	4
FLORIFLEX .....	5
VINIDA 20 BAR .....	6
VINIDA 40 BAR .....	7
VINIDA 80 BAR .....	8
DELTA-LD .....	9
DELTA-MD .....	10
POLYROS/RAUCLAIR 1 .....	11
POLYROS/GK .....	12

#### ERIKS RX® suction and delivery hoses

ATLAS .....	13
TITAN .....	14
GALAXY .....	15
POLYMETRA-CLEAR .....	16
POLYMETRA-WHITE .....	17
POLYBAR .....	18
TRANSPAR .....	19
TRANSPAR-AS .....	20
HYDRO .....	21
ALCO .....	22
VERTO .....	23

#### ERIKS RX® PVC ducting hoses

VACUFIXX-MD .....	24
VACUFIXX-HD .....	25
ERIFLEX .....	26
ERIVIDE .....	27
KARINA .....	28

#### ERIKS RX® ducting hoses in polyurethane

ALPO 35 .....	29
ABRAFLEX-SL .....	30
ABRAFLEX 330 .....	31
ABRAFLEX-LD .....	32
ABRAFLEX-MD .....	33
ABRAFLEX-FDA .....	34
ABRAFLEX-HD .....	35
ABRAFLEX-SHD .....	36

#### ERIKS RX® ducting hoses for high temperatures

EF-1 PVC .....	37
EF-1 SIL .....	38
EF-2 SIL .....	39
VULCANO .....	40
EF-1 NEO .....	41
F-2 NEO .....	42

#### ERIKS RX® CP ducting hoses

CP HYPALON 450 .....	43
CP PUR 455 MH .....	44
CP PE 457 .....	45
CP VITON 459 .....	46
CP SILIKON 460 .....	47
CP ARAMID 461 .....	48
CP PTFE/GLAS 471 .....	49
CP PTFE 475 .....	50
CP HiTex 480 .....	51
CP HiTex 481 .....	52
CP HiTex 482 .....	53
CP HiTex 483 .....	54

#### ERIKS RX® pneumatic hoses and push on couplings

POLYFLEX .....	55
POLYTUBE .....	56
POLYPUR .....	57
POLYSTOR .....	58
RECTULASTIC .....	59
RECTUPUSH INSERT COUPLINGS .....	60

#### ERIKS hose clips

SPIRALEX .....	66
SPIRALEX-HD .....	67
SPIRALEX-FST .....	68
SPIRALEX-OHS .....	69
SPIRALEX-TER .....	70
ABA-S .....	71
ABA-S .....	72
ABA-S .....	73
MINI-ABA .....	74
TORRO SS/ST .....	75
TORRO SS .....	76
POWER CLAMP ST .....	77
POWER CLAMP SS .....	78
NORMA-ST .....	79
NORMA-SS .....	80
EAR CLAMP .....	81
COUPLING SLEEVE PHD .....	82
COUPLING FLANGE MJO .....	83

Notes .....	84
-------------	----



#### RX® MULTIBAR/RAUFILAM

##### Application

- braided PVC hose for water and air applications, used in all branches of industry
- also for use in the food industry

##### Temperature

-20 °C to +60 °C

##### Design

- PVC, transparent with polyester inlays
- internally and externally smooth
- cadmium-free
- bursting pressure = 4 x working pressure
- TÜV tested
- chemical-resistant
- flexible
- food quality: the hose complies with European Directive 90/128/CEE

##### Couplings

as chosen

##### Assembly method

ABA, Torro, Norma, Power Clamp

**Data Table**

ERIKS art.no.	Internal diameter	Wall thickness	Working pressure	Bursting pressure	Bending radius	Roll length
	mm	mm	bar	bar	mm	m
10015709	4	3	23	92	15	50
10015710	6	3	20	80	25	50
10015711	8	3	18	72	30	50
10015712	9	3	16	64	35	50
10015713	10	3	14	56	40	50
10015714	12	3	14	56	55	50
10015715	12	4,2	14	56	50	50
10015716	13	3,3	12	48	70	50
10015717	16	3,7	12	48	90	50
10015718	19	3,7	10	40	130	50
10015707	25	4,3	8	32	200	25
10015708	32	4,8	7	28	310	25
10015705	38	4,8	6	24	420	25
10015706	50	6,5	4	16	620	25

Technical information at 20°C



#### RX® MULTIBAR/TX

##### Application

- braided PVC hose for water and air applications, used in all branches of industry
- also for use in the food industry

##### Temperature

-20 °C to +60 °C

##### Design

- PVC, transparent with polyester inlays
- internally and externally smooth
- bursting pressure = 3 x working pressure
- chemical-resistant
- flexible
- food quality: the hose complies with European Directive 90/128/CEE

##### Couplings

as chosen

##### Assembly method

ABA, Torro, Norma, Power Clamp

**Data Table**

ERIKS art.no.	Internal diameter	Wall thickness	Working pressure	Bursting pressure	Bending radius	Weight	Roll length
	mm	mm	bar	bar	mm	kg/m	m
10014825	4	3	18	54	15	0,082	25-50
10014826	5	3	18	54	20	0,093	50
10014827	6	3	18	54	25	0,105	25-50
10014828	8	3	15	45	30	0,128	25-50
10014829	9	3	15	45	35	0,139	25-50
10014830	10	3	15	45	40	0,151	25-50
11194091	12	3	15	45	50	0,175	25
10014839	12,5	3	14	42	55	0,180	50
10014831	13	3,5	12	36	60	0,223	25-50
10014832	15	4	13	39	80	0,264	25-50
10014833	16	3,5	13	39	80	0,264	25-50
10014834	19	4	12	36	100	0,356	25-50
10014729	20	4	10	30	110	0,386	25-50
10014835	25	4,5	9	27	120	0,513	25-50
11190203	30	4	6	18	160	0,52	25-50
10014836	32	5	6	18	180	0,715	25-50
10014837	38	5	5	15	200	0,831	25-50
10014838	50	8	5	15	660	1,792	25

Technical information at 20°C. Also available in various colours on request.



#### RX® MULTIPUR

##### Application

- pressure hose for liquids, gases and powders where internal and/or external wear must be avoided
- ideal as a hose for pneumatic tools
- alternative to PVC with higher temperatures

##### Temperature

-40 °C to +80 °C

##### Design

- polyurethane inside and outside wall, blue, with polyester inlays
- resistant to wearing substances and external wear
- internally and externally smooth
- kink-resistant

##### Couplings

as chosen

##### Assembly method

ABA, Torro

**Data Table**

ERIKS art.no.	Internal diameter	Wall thickness	Working pressure	Bursting pressure	Weight	Roll length
	mm	mm	bar	bar	kg/m	m
11020188	6	2	20	70	0,065	100
11190170	8	3	20	75	0,080	100
11032298	10	2,25	20	70	0,110	100
11190171	11	2,5	20	70	0,135	100
11190172	13	3	20	66	0,185	100

Technical information at 20°C



#### RX® FLORIFLEX

##### Application

pressure hose for water in agriculture and horticulture

##### Temperature

-10 °C to +60 °C

##### Design

- PVC, interior black, exterior yellow, with polyester inlays
- internally and externally smooth

##### Couplings

as chosen

##### Assembly method

ABA, Torro

**Data Table**

ERIKS art.no.	Internal diameter	Wall thickness	Working pressure	Bursting pressure	Weight	Roll length
	mm	mm	bar	bar	kg/m	m
10014710	13	2,5	8	24	0,160	50
11190665	16	2,5	8	24	0,195	50
11190667	19	3	8	24	0,275	50
10014712	25	3,5	8	24	0,415	50
11190668	30	4	6	18	0,565	50
11190670	32	5	6	18	0,770	50
11190671	38	5	5	15	0,900	50
11190672	50	6	4	12	1,400	50

Technical information at 20°C



#### RX® VINIDA 20 BAR

##### Application

- sturdy pressure hose for water and watery solutions in agriculture and the construction industry
- also suitable as a compressor hose

##### Temperature

-10 °C to +60 °C

##### Design

- PVC, inside wall black, outside wall beige with polyester inlays
- resistant to traces of oil, insecticides and weed killers
- internally and externally smooth
- weather-resistant

##### Couplings

as chosen

##### Assembly method

ABA, Torro

**Data Table**

ERIKS art.no.	Internal diameter	Wall thickness	Working pressure	Bursting pressure	Bending radius	Weight	Roll length
	mm	mm	bar	bar	mm	kg/m	m
10015902	8	2,5	20	60	101	0,105	50
10015903	10	2,5	20	60	112	0,120	50
10015907	13	3	20	60	152	0,185	50
10015904	16	3,5	20	60	161	0,265	50
10015905	19	3,75	20	55	177	0,330	50
10015906	25	4,25	20	50	254	0,480	50

Technical information at 20°C



#### RX® VINIDA 40 BAR

##### Application

- sturdy pressure hose for water and fungicide solutions in agriculture and the construction industry where higher operating pressures are required
- also suitable as a compressor hose

##### Temperature

-10 °C to +60 °C

##### Design

- PVC, inside wall black, outside wall light blue with polyester inlays
- resistant to traces of oil, insecticides and weed killers
- internally and externally smooth
- weather-resistant

##### Couplings

as chosen

##### Assembly method

ABA, Torro

**Data Table**

ERIKS art.no.	Internal diameter	Wall thickness	Working pressure	Bursting pressure	Bending radius	Weight	Roll length
	mm	mm	bar	bar	mm	kg/m	m
11195660	8	3	40	120	101	0,130	50
11070018	10	3,25	40	120	112	0,165	50
10015908	13	4	40	110	152	0,265	50

Technical information at 20°C



#### RX® VINIDA 80 BAR

##### Application

- sturdy pressure hose for water and fungicide solutions in agriculture and the construction industry where higher operating pressures are required
- also suitable as a compressor hose

##### Temperature

-10 °C to +60 °C

##### Design

- PVC, inside wall black, outside wall dark blue with polyester inlays
- resistant to traces of oil, insecticides and weed killers
- internally and externally smooth
- weather-resistant

##### Couplings

as chosen

##### Assembly method

ABA, Torro

**Data Table**

ERIKS art.no.	Internal diameter	Wall thickness	Working pressure	Bursting pressure	Bending radius	Weight	Roll length
	mm	mm	bar	bar	mm	kg/m	m
11172867	8	3,5	80	210	101	0,160	50
11195661	10	4	80	210	112	0,220	50
11195662	13	4	80	210	152	0,270	50

Technical information at 20°C





#### RX® DELTA-LD

##### Application

Layflat delivery hose for water and watery solutions in the agriculture sector and construction industry

##### Temperature

-10 °C to +60 °C

##### Design

- PVC, inside wall black, outside wall yellow with polyester inlays
- flat rolls up
- light design

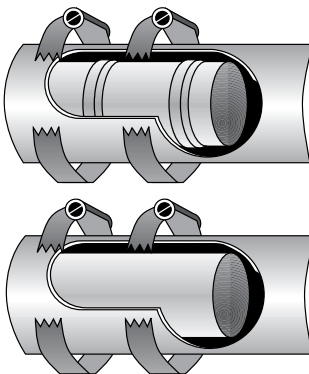
##### Couplings

as chosen

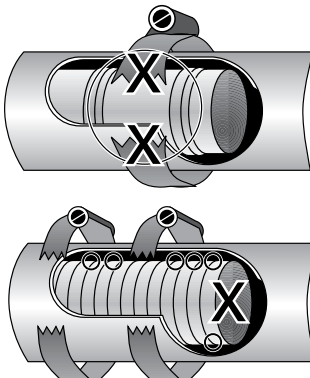
##### Assembly method

ABA, Torro, Norma, Power Clamp

Correct assembly



Wrong assembly



Data Table

ERIKS art.no.	Internal diameter	Working pressure	Bursting pressure	Weight	Roll length
	mm	bar	bar	kg/m	m
11195316	38	5	15	0,220	50
11195599	40	5	15	0,230	50
11195600	45	5	15	0,250	50
11195601	52	5	15	0,280	50
11195602	60	4	12	0,330	50
11195643	63	4	12	0,360	50
11195644	70	4	12	0,410	50
11195645	76	4	12	0,450	50
11195646	80	4	12	0,490	50
11195647	90	4	12	0,580	50
11195648	102	4	12	0,650	50
11195649	153	3	9	1,300	50

Technical information at 20°C

##### Note:

When assembling couplings on layflat hoses the hose clips must be fitted on a smooth part of the tailpiece. A tailpiece with sharp edges may not be used.

It is advised to fit a second piece of hose under the hose clips to stop the cutting through of the outside wall.



#### RX® DELTA-MD

##### Application

Layflat delivery hose for water and watery solutions in the agricultural industry and construction industry

##### Temperature

-10 °C to +60 °C

##### Design

- PVC, inside wall black, outside wall blue with polyester inlays
- flat rolls up
- weather-resistant
- medium design

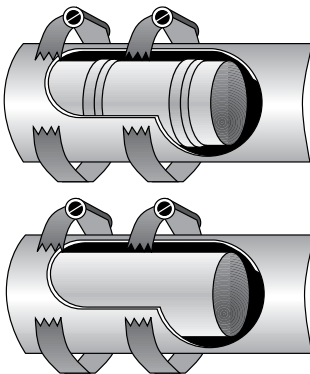
##### Couplings

as chosen

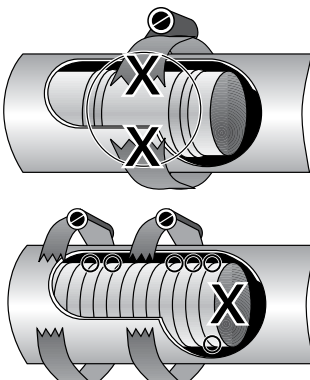
##### Assembly method

ABA, Torro, Norma, Power Clamp

Correct assembly



Wrong assembly



Data Table

ERIKS art.no.	Internal diameter	Working pressure	Bursting pressure	Weight	Roll length
	mm	bar	bar	kg/m	m
11195650	20	10	30	0,150	50
10014946	25	10	30	0,190	50
11195651	30	10	30	0,220	50
10015919	32	9	27	0,240	50
11195652	35	8	24	0,280	50
10014953	38	8	24	0,300	50
11195653	40	8	24	0,320	50
11195654	45	8	24	0,350	50
10014947	52	8	24	0,410	50
11195655	60	8	24	0,540	50
10014954	63	8	24	0,560	50
11195656	70	7	25	0,610	50
10014948	76	7	24	0,680	50
11195657	80	7	21	0,740	50
11195658	90	7	21	0,850	50
10014949	102	7	21	1,000	50
11195659	110	7	21	1,150	50
10014950	127	6	18	1,350	50
10014951	153	4	12	1,600	50
10014952	203	2,5	8	2,300	50

Technical information at 20°C

##### Note:

When assembling couplings on layflat hoses the hose clips must be fitted on a smooth part of the tailpiece. A tailpiece with sharp edges may not be used.

It is advised to fit a second piece of hose under the hose clips to stop the cutting through of the outside wall.



#### RX® POLYROS/RAUCLAIR

##### Application

Clear PVC hose for feeding of liquids and gases in all industrial applications where the observation of the medium in the hose is a necessity

- flexible
- chemical-resistant
- cadmium-free
- suitable for foodstuffs according to BGA

##### Temperature

-20 °C to +60 °C

##### Couplings

as chosen

##### Design

- PVC, transparent
- internally and externally smooth

##### Assembly method

ABA, Torro, Ear clamps

**Data Table**

ERIKS art.no	Int. diameter mm	Wall thickness mm	Working pressure bar	Roll length m
10015766	2	1	5,9	100
10015767	3	1,5	5,3	100
10015768	4	1	3,2	100
10015769	4	1,5	4,3	100
10015770	4	2	5,3	100
11096033	5	1	3	100
10015771	5	1,5	3,6	100
10015772	6	1	2,2	100
10015773	6	1,5	3,2	100
10015774	6	2	4	100
10015775	7	1,5	2,8	100
10015748	8	2	3,2	50
10015749	9	1,5	2,2	50
10015750	9	2	2,9	50
10015751	10	1,5	2	50
10015752	10	2	2,6	50
10015753	10	3	3,6	50
10015754	12	2	2,2	50
10015755	12	3	3,2	50
10015756	13	3	3	50
10015757	14	2	2	50
10015758	15	2	1,8	50
10015759	16	2	1,7	50
10015760	16	3	2,5	50
10015761	18	3	2,2	50
10015762	19	3,5	2,4	50
10015763	20	3	2	50
10015764	25	3	1,7	50
10015765	25	4	2,2	50
10015742	30	5	2,2	25
10015743	32	5	2,1	25
10015744	38	5	1,8	25
10015745	40	5	1,7	25
10015746	50	5	1,4	25
10015747	60	5	1,2	25

Technical information at 20°C



#### RX® POLYROS/GK

##### Application

Clear PVC hose for feeding of liquids and gases in all industrial applications where the observation of the medium in the hose is a necessity

##### Temperature

-20 °C to +60 °C

##### Design

- PVC, transparent
- internally and externally smooth
- chemical-resistant
- food quality: the hose complies with European Directive 90/128/CEE

##### Couplings

as chosen

##### Assembly method

ABA, Torro, Ear clamps

**Data Table**

ERIKS art.no	Int. diameter mm	Wall thickness mm	Working pressure bar	Roll length m
10014878	3	1,5	5	100
10014879	4	1,5	4	100
10014880	5	1,5	3	100
10014881	5	2	4	100
10014882	6	1	2	100
10014883	6	1,5	3	100
10014884	6	2	4	50
10014885	7	1	2	100
10014886	7	1,5	3	50
10014887	8	1	2	100
10014888	8	2	3	50
10014889	8	3	4	50
10014890	9	1,5	2	50
10014891	9	2	3	50
10014892	10	2	3	50
10014893	10	3	3	50
10014894	12	2	2	50
10014895	12	3	3	50
10014896	13	2	2	50
10014897	13	3	3	50
10014898	14	2	2	50
10014899	15	3	3	50
10014900	16	2	2	50
10014901	16	3	2	50
10014902	19	2,5	2	50
10014903	20	3	2	50
10014904	22	3	2	50
10014905	25	3	2	50
10014906	25	4	2	50
10014907	30	5	2	50
10014908	32	5	2	50
10014909	35	5	2	50
10014910	38	5	2	50
10014911	40	5	2	50
10014912	50	5	1	50

Technical information at 20°C



### RX® ATLAS

#### Application

- robust suction and delivery hose for agriculture and general industrial applications
- suitable for water, contaminated water, mud, chemicals and other liquids

#### Temperature

-10 °C to +60 °C

#### Design

- PVC, blue, with a hard white PVC coil
- interior smooth, exterior lightly corrugated and wear-resistant
- smooth, resistant to distortion

#### Couplings

as chosen

#### Assembly method

Norma, Power Clamp

(for sizes from 50 mm we advise using 2 clamps per coupling)

Data Table

ERIKS art.no.	Internal diameter	Wall thickness	Working pressure	Bursting pressure	Vacuum	Bending radius	Weight	Roll length
	mm	mm	bar	bar	%	mm	kg/m	m
11196778	20	3,6	7	21	100	100	0,310	50
10014811	25	3,8	7	21	100	125	0,410	50
11196780	30	4	7	21	100	150	0,550	50
10014812	32	4	7	21	100	160	0,600	50
10069590	35	4,2	6	18	100	175	0,630	50
10014813	38	4,4	6	18	100	190	0,700	50
10069591	40	4,5	6	18	100	200	0,730	50
10014814	45	4,5	6	18	100	225	0,850	50
10069592	50	4,8	5	15	100	250	1	50
10014815	51	4,8	5	15	100	250	1	50
11196781	60	5	4,5	13,5	90	300	1,250	50
10014816	63	5,2	4,5	13,5	90	315	1,390	50
11196782	70	5,5	4,5	13,5	90	350	1,600	50
10014817	76	5,5	4	12	90	380	1,700	50
11196843	80	6,3	3,5	10,5	90	400	1,850	50
10014818	90	6,3	3,5	10,5	90	450	2,150	30
10014819	102	6,7	3	9	85	500	2,700	30
10014820	110	7	3	9	85	550	3,000	30
11196844	120	7,5	2,5	7,5	80	600	3,350	30
10014821	127	7,5	2,5	7,5	80	630	3,600	30
10014822	152	8,5	2	6	70	750	4,600	20
10014823	203	10	1,5	4,5	60	1000	8,000	10
11196845	254	11	1,2	3,5	60	1600	12,500	on request
11196846	305	12,5	1	4	50	2000	17,500	on request

Technical information at 20°C



### RX® TITAN

#### Application

- robust, antistatic suction and delivery hose for agriculture and general industrial applications.
- suitable for water, contaminated water, mud, chemicals and other liquids
- highly suitable as loading and unloading hose for lorries

#### Temperature

-25 °C to +60 °C

#### Design

- elastic PVC, green, provided with hard PVC coil and static wire
- interior smooth, exterior lightly corrugated and wear-resistant
- extremely smooth also at low temperatures, resistant to distortion
- conduction of electrostatic charge by means of the static wire

#### Couplings

as chosen

#### Assembly method

Norma, Power Clamp

(for sizes from 50 mm we advise using 2 clamps per coupling)

Data Table

ERIKS art.no.	Internal diameter	Wall thickness	Working pressure	Bursting pressure	Vacuum	Bending radius	Weight	Roll length
	mm	mm	bar	bar	%	mm	kg/m	m
11196871	20	3,6	4,2	12,6	90	80	0,310	50
11196945	25	3,8	4,2	12,6	90	100	0,410	50
11196948	30	4	4,2	12,6	90	120	0,608	50
11196949	32	4	4,2	12,6	90	130	0,661	50
11197053	35	4,2	3,6	10,8	90	140	0,693	50
11197054	38	4,4	3,6	10,8	90	155	0,767	50
11197055	40	4,5	3,6	10,8	90	160	0,802	50
11197056	45	4,5	3,6	10,8	90	180	0,927	50
10014725	51	4,8	3	9	90	200	1,075	50
11197057	60	5	2,7	8,1	81	240	1,337	50
11197058	63	5,2	2,7	8,1	81	260	1,481	50
11197059	70	5,5	2,7	8,1	81	280	1,692	50
10014726	76	5,5	2,4	7,2	81	310	1,790	50
11197060	80	6,3	2,1	6,3	81	320	1,936	50
11197061	90	6,3	2,1	6,3	81	360	2,243	30
10014727	102	6,7	1,8	5,4	76	410	2,793	30
11197063	110	7	1,8	5,4	76	450	3,096	30
11197065	120	7,5	1,5	4,5	72	480	3,453	30
10015682	127	7,5	1,5	4,5	72	510	3,709	30
10014728	152	9	1,2	3,6	72	610	5,117	20
11197067	200	10,5	0,9	2,7	63	850	10,128	10
11197070	250	12	0,7	2,1	63	1500	14,156	5
11197071	300	12,5	0,6	1,8	45	1800	17,684	5

Technical information at 20°C



### RX® GALAXY

#### Application

- wear-resistant and robust suction and delivery hose for general industrial applications
- suitable for sand, gravel, mud, grain, cement, etc.

#### Temperature

-25 °C to +60 °C

#### Design

- interior polyurethane, red, glass-smooth, with a PVC coil
- exterior PVC, grey, lightly corrugated and wear-resistant
- smooth, resistant to distortion

#### Couplings

as chosen

#### Assembly method

Norma, Power Clamp

(for sizes from 50 mm we advise using 2 clamps per coupling)

**Data Table**

ERIKS art.no.	Internal diameter	Wall thickness	Working pressure	Bursting pressure	Vacuum	Bending radius	Weight	Roll length
	mm	mm	bar	bar	%	mm	kg/m	m
11064299	51	4,8	5	15	90	200	1,05	30
11196848	60	5	4,5	13,5	90	240	1,25	30
11196849	63	5,2	4,5	13,5	90	260	1,39	30
11196850	70	5,5	4,5	13,5	90	280	1,60	30
11064300	76	5,5	4	12	90	310	1,70	30
11196851	80	6,3	3,5	10,5	90	320	1,85	30
11196852	90	6,3	3,5	10,5	90	360	2,15	30
11196863	102	6,7	3	9	85	410	2,70	30
11196864	110	6,7	3	9	85	450	3,00	30
11196865	120	7,5	2,5	7,5	80	480	3,35	30
11196867	127	7,5	2,5	7,5	80	510	3,60	30
11196868	152	9	2	6	80	610	5,00	20

Technical information at 20°C



### RX® POLYMETRA-CLEAR

#### Application

- very flexible suction and delivery hose for heavy industrial applications
- also suitable for liquid food

#### Temperature

-10 °C to +60 °C

#### Design

- glass-clear PVC, suitable for food, with fully flush steel coil
- interior and exterior particularly smooth
- very flexible
- food quality: the hose complies with European Directive 90/128/CEE

#### Couplings

as chosen

#### Assembly method

ABA, Torro, Norma, Power Clamp

**Data Table**

ERIKS art.no.	Internal diameter	Wall thickness	Working pressure	Bursting pressure	Vacuum	Bending radius	Weight	Roll length
	mm	mm	bar	bar	%	mm	kg/m	m
11195663	6	3	7	35	95	80	0,130	60
11195664	8	3	7	35	95	100	0,150	60
10014856	10	3	7	35	85	120	0,160	60
10014857	12	3	6	30	85	130	0,180	60
11195665	14	3	6	30	85	140	0,205	60
10014858	16	3,2	6	30	85	155	0,250	60
11057914	18	3,2	5	25	85	160	0,300	60
10014859	20	3,5	5	25	85	180	0,350	60
11195666	22	3,5	5	25	85	200	0,380	60
10014860	25	4	5	25	85	200	0,500	60
10014861	30	4	4	20	85	240	0,600	60
10014862	32	4,5	4	20	85	260	0,650	60
10014863	35	4,5	4	20	85	280	0,700	60
10014864	38	4,5	4	20	85	310	0,800	30
10014865	40	5	4	20	85	320	0,870	30
10014866	45	5	4	20	80	360	1,100	30
10014867	50	5	4	20	80	410	1,250	30
10014868	60	6	3,5	18	80	410	1,700	30
10014869	64	6	3,5	18	80	450	1,800	30
11195667	70	6,5	3,5	18	70	480	1,950	30
10014871	76	6,5	3,5	18	70	510	2,200	30
11011557	80	6,5	3,5	18	70	610	2,350	20
10014872	90	7	3	15	70	610	2,900	20
10014873	102	7	2,5	12	70	650	3,250	20
11195668	105	7,2	2,5	12	70	850	3,350	20
11195672	110	9	2	8	90	850	4,800	20
11195683	120	9	1,5	6	90	1500	5,200	20
10014874	127	9	1,5	6	90	1500	5,400	20
10014875	150	10	1	6	90	1800	6,900	20

Technical information at 20°C





### RX® POLYMETRA-WHITE

#### Application

- very flexible suction and delivery hose for industrial applications
- highly suitable for waste water discharge on ships or in sanitary spaces
- hose leaves no odour

#### Temperature

-5 °C to +60 °C

#### Design

- PVC white, non-transparent, with fully flush steel coil
- interior and exterior particularly smooth
- very flexible

#### Couplings

as chosen

#### Assembly method

ABA, Torro, Norma, Power Clamp

**Data Table**

ERIKS art.no.	Internal diameter	Wall thickness	Working pressure	Bursting pressure	Vacuum	Bending radius	Weight	Roll length
	mm	mm	bar	bar	%	mm	kg/m	m
10015733	20	4	5	15	85	80	0,34	60
10015734	25	4	5	15	85	100	0,53	60
10015735	32	4	4	12	85	128	0,65	60
10015736	38	5	4	12	85	152	0,85	60

Technical information at 20°C



### RX® POLYBAR

#### Application

- very flexible suction and delivery hose for heavy industrial applications where a higher working pressure is required
- also suitable for liquid food applications

#### Temperature

-10 °C to +60 °C

#### Design

- glass-clear PVC, suitable for food, with fully flush steel coil and polyester inlays
- interior and exterior particularly smooth
- very flexible
- food quality: the hose complies with European Directive 90/128/CEE

#### Couplings

as chosen

#### Assembly method

ABA, Torro, Norma, Power Clamp

Data Table

ERIKS art.no.	Internal diameter	Wall thickness	Working pressure	Bursting pressure	Vacuum	Bending radius	Weight	Roll length
	mm	mm	bar	bar	%	mm	kg/m	m
11191884	10	4,25	20	60	90	30	0,260	60
11191885	12	4,25	20	60	90	36	0,290	60
11191886	14	4,25	20	60	90	42	0,320	60
11191887	16	4,5	20	60	90	48	0,370	60
11191888	18	4,5	20	60	90	54	0,440	60
11191889	20	4,8	15	45	90	60	0,500	60
11191890	25	5	15	45	90	75	0,650	60
11191891	30	5,5	12	36	90	90	0,770	60
11191892	32	5,5	12	36	90	95	0,850	60
11191913	38	6	12	36	90	110	1,150	30
11191914	40	6	12	36	90	120	1,200	30
11195966	45	6,5	9	27	80	135	1,460	30
11195967	50	6,5	8	24	80	150	1,600	30
11195968	60	7	7	21	80	180	2,020	30
11195969	63	7	7	21	80	192	2,160	30
11195970	70	7,5	6	18	70	210	2,505	30
11195972	76	7,5	6	18	70	228	2,695	30
11196013	80	7,5	6	18	70	240	2,850	20
11196014	90	8	5	15	70	270	3,500	20
11196015	102	8	4	12	70	305	4,040	20

Technical information at 20°C



### RX® TRANSPAR

#### Application

- Suction and delivery hose for non-greasy food such as water, fruit juices, soft drinks, vinegar and other liquid foodstuffs
- also suitable for wine and other alcoholic drinks with a maximum of 25% alcohol level

#### Temperature

-10 °C to +60 °C

#### Design

- PVC, clear transparent, suitable for food, with a hard, white PVC coil
- interior particularly smooth, exterior lightly corrugated
- light and flexible hose, resistant to distortion
- food quality: the hose complies with European Directive 90/128/CEE

#### Couplings

as chosen

#### Assembly method

ABA, Torro, Norma, Power Clamp

**Data Table**

ERIKS art.no.	Internal diameter	Wall thickness	Working pressure	Bursting pressure	Vacuum	Bending radius	Weight	Roll length
	mm	mm	bar	bar	%	mm	kg/m	m
11197078	13	2,8	5	15	70	75	0,160	50
11197079	20	2,8	5	15	70	110	0,240	50
10014925	25	2,8	5	15	70	130	0,300	50
10014926	30	2,9	5	15	70	150	0,360	50
10014927	32	3	5	15	70	155	0,390	50
11197080	35	3,2	5	15	70	170	0,440	50
10014928	38	3,4	5	15	70	182	0,520	50
10014929	40	3,5	5	15	70	195	0,550	50
11197081	45	3,8	5	15	70	215	0,670	50
10014930	51	4,1	5	15	70	235	0,800	50
11197082	55	4,1	5	15	70	255	0,900	50
11197093	60	4,1	5	15	70	275	0,970	50
10014931	63	4,2	5	15	70	290	1,040	50
11197094	70	4,5	5	15	70	320	1,200	50
10014932	76	4,7	5	15	70	340	1,380	50
11197095	80	5,2	4	12	70	365	1,550	50
11197096	90	6	4	12	70	420	1,850	30
11197097	100	6	4	12	70	470	2,200	30
10014933	102	6	4	12	70	470	2,200	30
10014934	110	6	4	12	70	520	2,550	30
11197098	120	6,2	3	9	60	650	2,800	30
11197099	127	6,2	3	9	55	680	3,000	30
10014935	152	6,2	3	9	50	780	4,300	20
11197100	203	8,2	2	6	45	1000	6,500	10

Technical information at 20°C



### RX® TRANSPAR-AS

#### Application

- Suction and delivery hose for non-greasy food such as water, fruit juices, soft drinks, vinegar and other liquid foodstuffs
- also suitable for wine and other alcoholic drinks with a maximum of 25% alcohol level
- antistatic design thanks to the joining of the copper static wire to the connections

#### Temperature

-10 °C to +60 °C

#### Design

- PVC, clear transparent, suitable for food, with a hard, white PVC coil
- interior particularly smooth, exterior lightly corrugated
- light and flexible hose, resistant to distortion
- food quality: the hose complies with European Directive 90/128/CEE

#### Couplings

as chosen

#### Assembly method

ABA, Torro, Norma, Power Clamp

Data Table

ERIKS art.no.	Internal diameter	Wall thickness	Working pressure	Bursting pressure	Vacuum	Bending radius	Weight	Roll length
	mm	mm	bar	bar	%	mm	kg/m	m
11191998	30	2,9	5	15	70	150	0,42	50
11191999	32	3	5	15	70	155	0,45	50
11192000	35	3,2	5	15	70	170	0,5	50
11192001	38	3,4	5	15	70	182	0,59	50
11192002	40	3,5	5	15	70	195	0,62	50
11192073	45	3,8	5	15	70	215	0,75	50
11192074	51	4,1	5	15	70	235	0,874	50
11192075	55	4,1	5	15	70	255	0,98	50
11192076	60	4,1	5	15	70	275	1,06	50
11192077	63	4,2	5	15	70	290	1,13	50
11192078	70	4,5	5	15	70	320	1,28	50
11192079	76	4,7	5	15	70	340	1,47	50
11192080	80	5,2	4	12	70	365	1,63	50
11192081	90	6	4	12	70	420	1,94	30
11192082	102	6	4	12	70	470	2,29	30
11192113	110	6	4	12	70	520	2,64	30
11192114	120	6,2	3	9	60	650	2,9	30
11192115	127	6,2	3	9	55	680	3,11	30
11192116	152	6,2	3	9	50	780	4,42	20
11192117	203	8,2	2	6	45	1000	6,63	10

Technical information at 20°C



### RX® HYDRO

#### Application

- suction and delivery hose for swimming pools, whirlpools and ponds
- discharge hose for sanitary applications

#### Temperature

-10 °C to +60 °C

#### Design

- PVC white, elastic, with fully flush PVC coil
- very flexible
- interior and exterior particularly smooth
- resistant to distortion

#### Couplings

as chosen

#### Assembly method

ABA, Torro, Norma, Power Clamp  
(special couplings can also be adhered)

**Data Table**

ERIKS art.no.	Internal diameter	Wall thickness	Working pressure	Bursting pressure	Vacuum	Bending radius	Weight	Roll length
	mm	mm	bar	bar	%	mm	kg/m	m
11202586	15	2,5	7	21	80	50	0,20	30
11202587	16	2,5	7	21	80	55	0,21	30
11202589	20	2,5	7	21	70	80	0,24	30
11202590	25	3,5	7	21	80	100	0,46	30
11202591	27	2,5	5	15	70	110	0,32	30
11202592	32	4	7	21	80	135	0,69	30
11202633	34	3	5	15	70	145	0,48	30
11202634	38	3,5	5	15	70	160	0,63	30
11202635	40	5	7	21	80	180	0,95	30
11202636	43	3,5	4,5	13	70	200	0,70	30
11202637	55	4	4	12	70	250	1,00	30

Technical information at 20°C



### RX® ALCO

#### Application

- robust suction and delivery hose for wine and other alcoholic drinks with a maximum of 25% alcohol level
- also suitable for other non-greasy food such as water, fruit juices, soft drinks, vinegar and other liquid food

#### Temperature

-10 °C to +60 °C

#### Design

- PVC, clear transparent, suitable for food, with a hard, red PVC coil • interior particularly smooth, exterior lightly corrugated
- robust yet flexible hose, resistant to distortion
- food quality: the hose complies with European Directive 90/128/CEE

#### Couplings

as chosen

#### Assembly method

ABA, Torro, Norma, Power Clamp

**Data Table**

ERIKS art.no.	Internal diameter	Wall thickness	Working pressure	Bursting pressure	Vacuum	Bending radius	Weight	Roll length
	mm	mm	bar	bar	%	mm	kg/m	m
11196019	20	3,3	9	27	100	110	0,310	50
11047366	25	3,5	9	27	100	170	0,400	50
11196022	30	3,8	9	27	100	190	0,500	50
11196023	32	3,8	9	27	100	230	0,520	50
11196025	35	4	9	27	100	230	0,600	50
11196026	38	4,4	9	27	100	260	0,730	50
11196027	40	4,5	9	27	100	270	0,760	50
11196029	45	4,5	9	27	100	310	0,920	50
11196031	51	4,7	8	24	100	350	1,100	50
11196035	55	4,7	8	24	100	370	1,270	50
11196036	60	4,7	8	24	100	415	1,460	50
11196038	63	4,9	8	24	100	440	1,630	50
11196039	70	5,2	8	24	100	480	1,800	50
11196040	76	5,5	8	24	100	525	1,900	50
11196042	80	6,2	7	21	100	555	2,200	30
11196043	90	7,6	6	18	100	630	2,600	30
11054224	102	7,8	6	18	90	695	3,300	30
11196044	110	8	5	15	90	780	3,650	30
11196045	120	8	5	15	90	900	4,200	30
11196046	127	8,5	5	15	90	1000	4,400	30
11196047	152	9,8	4	12	85	1300	6,400	20
11196048	203	12,2	4	12	80	2100	10,300	10

Technical information at 20°C



### RX® VERTO

#### Application

suction and delivery hose for light industrial applications, agriculture, irrigation

#### Temperature

-10 °C to +60 °C

#### Design

- PVC, green transparent with a hard, white PVC coil
- interior smooth, exterior lightly corrugated
- light and flexible hose, resistant to distortion

#### Couplings

as chosen

#### Assembly method

ABA, Torro, Norma, Power Clamp

**Data Table**

ERIKS art.no.	Internal diameter	Wall thickness	Working pressure	Bursting pressure	Vacuum	Bending radius	Weight	Roll length
	mm	mm	bar	bar	%	mm	kg/m	m
10014940	19	2,4	5	15	60	110	0,210	50
10014941	25	2,4	5	15	60	140	0,270	50
11197107	30	2,5	5	15	60	170	0,330	50
10014942	32	2,6	5	15	60	180	0,350	50
11197108	35	2,6	5	15	60	195	0,420	50
10014943	38	3	5	15	60	210	0,470	50
11054175	40	3	5	15	60	220	0,510	50
11197109	45	3,2	5	15	60	250	0,580	50
10014944	51	3,6	5	15	60	270	0,700	50
11197110	55	3,6	5	15	60	310	0,750	50
11197111	60	3,6	5	15	60	330	0,850	50
10015898	63	3,7	5	15	60	350	0,900	50
11197112	70	3,9	4	12	60	450	1,050	50
10014945	76	4,1	4	12	60	500	1,150	50
11197113	80	4,5	4	12	60	550	1,350	50

Technical information at 20°C



#### RX® VACUFIXX-MD

##### Application

- ducting hose for liquid, gaseous and solid substances such as air, smoke, fumes, cooling water, dust, powder, chips, granulate, etc.
- good resistance to chemicals

- interior particularly smooth, exterior corrugated
- kink-resistant
- gas- and liquid-tight
- conducts electrostatic charge by means of the coil

##### Temperature

-20 °C to +70 °C continuous

##### Couplings

as chosen or to assemble straight on a pipe

##### Design

- PVC profile, for an optimal flow, with a fully flush steel coil, thickness PVC: approx. 1.1 mm, colour grey

##### Assembly method

worm screw clamps type SPIRALEX (see page 66-70)

**Data Table**

ERIKS art.no.	Internal diameter	Wall thickness	Working pressure	Vacuum	Bending radius	Weight	Roll length
	mm	mm	bar	%	mm	kg/m	m
10015410	20	3,5	1,92	65	27	0,24	10
10015411	25	3,5	1,56	63	32	0,29	10
	28	3,5	1,40	61	35	0,32	10
10069657	30	4,5	1,31	60	39	0,36	10
10015412	32	4,5	1,23	58	41	0,39	10
10015413	35	4,5	1,13	55	44	0,42	10
10015414	38	4,5	1,05	51	47	0,45	10
10015415	40	4,5	1,00	48	49	0,47	10
10015416	45	4,5	0,89	42	54	0,49	10
10015417	50	4,5	0,80	37	59	0,52	10
10015418	55	4,5	0,73	33	64	0,58	10
10015419	60	4,5	0,67	30	69	0,63	10
10015420	65	4,5	0,62	26	74	0,68	10
10015421	70	4,5	0,58	22	79	0,74	10
10015422	75	4,5	0,54	21	84	0,85	10
10015423	80	4,5	0,51	19	89	0,91	10
10015424	90	4,5	0,45	16	99	0,96	10
10015425	100	4,5	0,41	12	109	1,08	10
10015426	110	4,5	0,37	11	119	1,19	10
	115	4,5	0,36	11	124	1,30	10
10015427	120	4,5	0,34	10	129	1,36	10
10015428	125	4,5	0,33	10	134	1,42	10
10015429	130	4,5	0,32	9	139	1,48	10
10015430	140	4,5	0,29	8	149	1,53	10
10015431	150	4,5	0,28	8	159	1,65	10
10015432	160	4,5	0,26	7	169	1,76	10
10015433	170	4,5	0,24	7	179	1,87	10
10015434	175	4,5	0,24	7	184	2,05	10
10015435	180	4,5	0,23	6	189	2,10	10
	190	4,5	0,22	6	199	2,22	10
10015436	200	4,5	0,21	6	209	2,33	10
10069658	220	4,5	0,18	4	229	2,85	10
10015437	225	5	0,18	2	235	2,99	10
10015438	250	5	0,17	2	260	3,31	10
10069659	275	5	0,15	2	285	3,64	10
	280	5	0,15	2	290	3,70	10
10015439	300	5	0,14	2	310	3,96	10

Technical information at 20°C





#### RX® VACUFIXX-HD

##### Application

- ducting hose for liquid, gaseous and solid substances such as air, smoke, fumes, cooling water, dust, powder, chips, granulate, etc.
- good resistance to chemicals

##### Temperature

-20 °C to +70 °C continuous

##### Design

- PVC profile, for an optimal flow, with a fully flush steel coil, thickness PVC approx. 1.5 mm, colour grey

- interior particularly smooth, exterior corrugated
- kink-resistant
- gas- and liquid-tight
- conducts electrostatic charge by means of the coil

##### Couplings

as chosen or to assemble straight on a pipe

##### Assembly method

worm screw clamps type SPIRALEX (see page 66-70)

Data Table

ERIKS art.no.	Internal diameter	Wall thickness	Working pressure	Vacuum	Bending radius	Weight	Roll length
	mm	mm	bar	%	mm	kg/m	m
	20	4	2,00	85	28	0,28	10
	25	4	1,70	84	33	0,33	10
	30	5	1,70	82	40	0,45	10
	32	5	1,70	81	42	0,47	10
	35	5	1,55	81	45	0,51	10
10015525	38	5	1,45	80	48	0,55	10
	40	5	1,35	78	50	0,57	10
	42	5	1,20	77	52	0,60	10
10015526	50	5	1,10	75	60	0,70	10
	55	5	1,00	70	65	0,76	10
10015527	60	5	0,95	63	70	0,83	10
	65	5	0,85	56	75	0,89	10
10015528	70	6	0,80	50	98	1,06	10
10015529	75	6	0,75	46	104	1,13	10
10015530	80	6	0,70	43	110	1,20	10
	85	6	0,67	39	116	1,27	10
10015531	90	6	0,63	36	122	1,34	10
10015532	100	6	0,57	30	134	1,48	10
	105	6	0,54	28	140	1,55	10
10015533	110	6	0,52	27	146	1,62	10
	115	6	0,50	25	152	1,68	10
10015534	120	6	0,48	24	158	1,75	10
10015535	125	6	0,46	23	164	1,82	10
10015536	130	6	0,44	22	170	1,89	10
10015537	140	6	0,41	20	182	2,03	10
10015538	150	6	0,38	17	194	2,33	10
10015539	160	6	0,36	15	206	2,48	10
	175	6	0,33	13	224	2,70	10
10015540	180	6	0,32	12	230	2,78	10
	190	6	0,30	10	242	2,93	10
10015541	200	6,5	0,29	8	256	3,14	10
	215	6,5	0,27	8	274	3,36	10
	225	6,5	0,26	7	286	3,52	10
10015542	250	6,5	0,23	6	316	3,90	10
	275	6,5	0,21	6	346	4,28	10
	280	6,5	0,21	5	352	4,35	10
10015543	300	6,5	0,19	5	376	4,66	10
	315	6,5	0,19	5	394	5,30	10
	320	6,5	0,18	5	400	5,38	10
	325	6,5	0,18	5	406	5,47	10
11064796	350	6,5	0,17	4	436	5,88	10
	375	6,5	0,16	4	466	6,29	10
	380	6,5	0,15	4	472	6,37	10
11013574	400	6,5	0,15	3	476	6,70	10
	450	6,5	0,13	3	556	8,90	10
	500	6,5	0,12	2	616	9,88	10

Technical information at 20°C



#### RX® ERIFLEX

##### Application

- ducting hose for air, dust, fumes, fibres, glass and rockwool flakes for cavity wall insulation, etc.
- also for use as a pressureless feeder hose for liquids and gases

##### Temperature

-10 °C to +60 °C

##### Design

- PVC, white with a hard, white PVC coil.
- interior smooth, exterior corrugated
- light and very flexible but robust hose, resistant to distortion

##### Couplings

as chosen

##### Assembly method

ABA, Torro, Norma, Power Clamp

**Data Table**

ERIKS art.no.	Internal diameter	Wall thickness	Working pressure	Vacuum	Bending radius	Weight	Roll length
	mm	mm	bar	%	mm	kg/m	m
10014765	20	3,5	3	80	60	0,23	20
10014766	25	4,0	3	70	75	0,25	20
10014767	30	4,0	3	70	90	0,30	20
10014768	32	4,0	3	70	96	0,33	20
10014769	35	4,5	2	70	105	0,44	20
10014770	38	4,5	2	70	114	0,50	20
10014771	40	4,5	2	70	120	0,55	20
10014772	45	5,0	2	65	135	0,65	20
10015524	48	5,0	2	65	144	0,73	20
10014773	50	5,0	2	65	150	0,75	20
10014774	55	5,0	2	65	165	0,85	20
10014775	60	6,0	2	65	180	1,10	20
10014776	65	6,0	2	60	195	1,15	20
10014777	70	6,0	2	60	210	1,25	20
10014778	76	6,0	2	60	225	1,30	20
10014779	80	6,5	1	60	240	1,45	20
10014780	90	6,5	1	50	270	1,60	20
10014781	100	7,0	1	50	300	1,70	20
10014782	110	7,0	1	50	330	2,20	20
10014783	120	7,0	0,5	40	360	2,40	20
10014784	127	7,0	0,5	40	375	2,60	20
10014786	150	7,0	0	40	450	3,00	20

Technical information at 20°C



#### RX® ERIVIDE

##### Application

- ducting hose for liquids and gases
- very suitable for vacuum applications

##### Temperature

-10 °C to +60 °C

##### Design

- PVC, transparent with a hard, polyester coil
- interior and exterior fully smooth
- suitable for foodstuffs

##### Couplings

as chosen

##### Assembly method

ABA, Torro

**Data Table**

ERIKS art.no.	Internal diameter	Wall thickness	Working pressure	Vacuum	Bending radius	Weight	Roll length
	mm	mm	bar	bar	%	mm	m
10014789	6	2,2	3	9	90	20	50
10014790	8	2,5	3	9	90	25	50
10014791	10	2,9	3	9	90	30	50
10014792	13	3,2	2	6	90	40	50
10014793	16	3,5	2	6	90	50	30
10014794	19	4	2	6	90	60	30
10014795	25	5,1	1	3	90	85	30
10014796	32	5,1	1	3	90	130	20
10014797	38	5,8	1	3	90	200	20
10014798	45	6,5	1	3	90	350	20

Technical information at 20°C



#### RX® KARINA

##### Application

- ducting hose for air, ventilation, dust, vapours, textile fibres, etc.
- cable protection hose

##### Temperature

-10 °C to +50 °C

##### Design

- PVC, dark grey with a hard PVC coil
- interior smooth, exterior corrugated
- light and very flexible hose, resistant to distortion

##### Couplings

as chosen

##### Assembly method

ABA, Torro, Norma, Power Clamp

**Data Table**

ERIKS art.no.	Internal diameter	Wall thickness	Working pressure	Vacuum	Bending radius	Weight	Roll length
	mm	mm	bar	%	mm	kg/m	m
10014799	25	2,5	1	25	30	0,155	30
10014800	30	2,7	1	25	35	0,195	30
10014801	32	2,7	0,5	20	35	0,205	30
10014802	35	2,7	0,5	20	35	0,230	30
10014803	38	2,7	0,5	20	45	0,260	30
10015689	40	2,7	0,5	20	50	0,280	30
10015690	45	2,9	0,5	20	55	0,350	30
10014804	51	3,2	0	20	60	0,430	30
10015691	55	3,2	0	20	60	0,470	30
11079268	60	3,5	0	16	70	0,500	30
10014805	63	3,5	0	16	70	0,520	30
	70	3,7	0	15	90	0,580	30
10014806	76	3,9	0	15	100	0,640	30
10014807	80	4,2	0	15	110	0,750	30
10015692	90	4,2	0	14	125	0,850	30
10014808	102	4,4	0	13	140	0,970	20
10014809	110	4,8	0	12	150	1,100	20
	120	5,3	0	10	160	1,200	20
10015693	127	5,3	0	10	170	1,270	20
	130	5,5	0	9	170	1,300	20
	140	5,7	0	9	175	1,450	20
10015694	152	6	0	8	180	1,600	20
	160	6,3	0	7	190	1,780	20
	170	6,3	0	5	220	1,900	20
	180	6,4	0	4	300	2,000	20
10015687	203	6,7	0	4	400	2,200	20
	250	7,5	0	4	450	3,300	10
	300	7,5	0	3	1000	4,000	10

Technical information at 20°C



#### RX® ALPO

##### Application

- light ducting hose for slightly wearing solid substances such as dust, powder and fibres
- industrial vacuum cleaner hose

##### Couplings

as chosen or to assemble straight on a pipe

##### Assembly method

ABA, Torro, Norma, Power Clamp

##### Temperature

-40 °C to +80 °C

##### Design

- polyurethane, extruded, with fully flush PVC coil
- interior smooth, exterior corrugated
- thickness polyurethane approx. 0.5 mm
- ultralight and flexible

Data Table

ERIKS art.no.	Internal diameter	Wall thickness	Vacuum	Bending radius	Weight	Roll length
	mm	mm	%	mm	kg/m	m
11194309	19	2,5	25	25	0,100	20
11194312	20	2,5	25	25	0,100	20
10015662	25	2,6	25	30	0,140	20
11194354	30	2,5	25	35	0,140	20
10015663	32	2,6	20	35	0,155	20
10015664	35	2,7	20	45	0,170	20
10015665	38	2,9	20	50	0,195	20
11194356	40	3	20	60	0,200	20
11194358	45	3,2	20	65	0,245	20
10015666	50	3,3	20	70	0,290	20
11194555	55	3,3	20	75	0,360	20
10015667	60	3,5	16	80	0,425	20
11194556	63	3,5	16	80	0,460	20
10015668	70	3,8	16	95	0,500	30
10015669	76	3,8	16	100	0,550	30
11194557	80	4,2	16	110	0,590	30
11194558	90	4,4	14	125	0,670	30
10015670	102	4,4	13	140	0,750	30
11194559	110	5,2	12	150	0,900	30
11194560	120	5,2	10	160	1,000	30
11194561	127	5,2	10	170	1,100	30
11194562	130	5,2	9	170	1,200	20
11194624	140	5,3	9	180	1,300	20
11029303	150	5,6	8	200	1,500	20
11194625	160	6,2	7	220	1,780	20
11194626	170	6,2	5	230	1,900	20
11194627	180	6,7	4	250	2,000	20
11194628	200	6,6	4	260	2,200	20
11194629	250	6,7	4	300	3,300	10
11194630	300	7	3	350	4,000	10

Technical information at 20°C



### RX® ABRAFLEX-SL

#### Application

- ducting hose for slightly wearing solid substances such as dust, powder, and fibres
- industrial vacuum cleaner hose

#### Temperature

-40 °C to +90 °C continuous

#### Design

- polyurethane, extruded, with fully flush steel coil
- interior smooth, exterior corrugated
- thickness polyurethane approx. 0.5 mm
- ultralight and flexible, also at low temperatures
- gas- and liquid-tight
- conducts electrostatic charge by means of the coil

#### Couplings

as chosen or to assemble straight on a pipe

#### Assembly method

ABA, Torro, Norma, Power Clamp

Data Table

ERIKS art.no.	Internal diameter	Wall thickness	Working pressure	Vacuum	Bending radius	Weight	Roll length
	mm	mm	bar	%	mm	kg/m	m
10069521	40	1,8	1	20	32	0,225	20
10069523	51	1,8	1	20	40	0,285	20
10015398	60	1,8	1	17	50	0,335	20
10069528	70	2,1	1	17	60	0,420	20
10069529	76	2,1	1	17	65	0,450	20
10015399	80	2,1	1	16	65	0,480	20
10069531	90	2,1	1	16	75	0,540	20
10015400	102	2,1	1	13	85	0,640	15
10069533	110	2,4	1	12	90	0,690	15
10015401	120	2,4	1	10	100	0,760	15
10015402	127	2,4	1	10	105	0,800	15
10069534	130	2,4	1	8	105	0,830	15
10015403	140	2,7	1	8	115	0,960	15
10015404	152	2,7	1	8	125	1,040	15
10015405	160	2,7	1	7	130	1,150	15
10069535	180	2,9	1	5	150	1,450	15
10069536	203	2,9	1	4	165	1,650	15
	228	2,9	1	4	185	1,900	10
10069537	254	3,2	1	4	210	2,150	10
	279	3,2	1	4	230	2,400	10
10069538	305	3,2	1	3	250	2,650	
10069539	406	3,2	1	3	350	3,500	

Technical information at 20°C



### RX® ABRAFLEX 330

#### Application

- ducting hose for slightly wearing solid substances such as dust, powder, fibres and chips
- also suitable for gases such as oil vapours and welding fumes

- interior smooth, exterior corrugated
- extremely light and flexible, also at low temperatures
- softener- and halogen-free
- gas- and liquid-tight
- conducts electrostatic charge by means of the coil

#### Temperature

-40 °C to +90 °C continuous,  
briefly to +125 °C

#### Couplings

as chosen or to assemble straight on a pipe

#### Design

- polyurethane, extruded, with fully flush steel coil, thickness polyurethane approximately 0.6 mm

#### Assembly method

worm screw clamps type SPIRALEX  
(see page 66-70)

Data Table

ERIKS art.no.	Internal diameter	Wall thickness	Working pressure	Vacuum	Bending radius	Weight	Roll length
	mm	mm	bar	%	mm	kg/m	m
	25	3,5	1,55	36	32	0,18	15
	30	3,5	1,3	34	37	0,21	15
	32	3,5	1,22	34	39	0,22	15
10015457	38	4	0,98	30	46	0,27	15
10015458	50	4	0,785	26	58	0,35	15
10015459	60	4	0,655	21	68	0,41	15
10015460	65	4	0,605	18	73	0,45	15
10015461	70	4	0,565	15	78	0,48	15
10015454	75	4	0,525	14	83	0,51	10
	80	4	4,495	13	88	0,54	10
10015455	90	4	0,6	9	98	0,59	10
11076661	100	4	0,395	9	108	0,64	10
	110	4	0,36	8	118	0,70	10
10015456	115	4	0,345	7,8	123	0,73	10
11025212	120	4	0,33	7,6	128	0,76	10
	125	4	0,315	6	133	0,79	10
	130	4	0,305	6	138	0,82	10
11175221	140	4	0,28	6	148	0,88	10
11025214	150	4	0,265	6	158	0,94	10
	160	4	0,25	5,2	168	1,00	10
	170	4	0,235	4,4	178	1,06	10
	175	4	0,225	4	183	1,09	10
	180	4	0,22	4	188	1,12	10
11029784	200	4	0,2	4	208	1,25	10
	225	4	0,175	2,8	233	1,40	10
11080764	250	4	0,16	1,6	258	1,55	10
11148220	300	4,5	0,13	1,4	309	2,15	10
	325	4,5	0,12	1,2	334	2,33	-
	350	4,5	0,115	1	359	2,51	-
	400	4,5	0,1	0,8	409	2,86	-
	450	4,5	0,09	0,6	459	3,21	-
	500	5	0,08	0,5	510	5,04	-

Technical information at 20°C





#### RX® ABRAFLEX-LD

##### Application

- ducting hose for wearing solid substances such as granulate, chips, powder, dust, etc.
- also suitable for aggressive gaseous and liquid products
- good resistance to oil and petrol vapours

##### Temperature

-40 °C to +90 °C continuous, briefly to +125 °C

##### Design

- polyurethane profile, with flow direction, with fully flush steel coil, thickness polyurethane approximately 0.8 mm
- interior particularly smooth, exterior

corrugated

- flow direction marked by arrow head
- remains flexible, also at low temperatures.
- softener- and halogen-free
- gas- and liquid-tight
- conducts electrostatic charge by means of the coil

##### Couplings

as chosen or to assemble straight on a pipe; possibly with connecting sleeve or flange (see page 89-90)

##### Assembly method

worm screw clamps type SPIRALEX (see page 66-70)

#### Note

This hose is also available as an antistatic ( $R < 10^9 \Omega$ .) or electrically conductive ( $R < 10^4 \Omega$ .) design.

Data Table

ERIKS art.no.	Internal diameter	Wall thickness	Working pressure	Vacuum	Bending radius	Weight	Roll length
	mm	mm	bar	%	mm	kg/m	m
11193927	25	3,5	2,15	45	35	0,20	10
11193928	30	4	1,80	43	42	0,26	10
11193929	32	4	1,69	42	44	0,28	10
11193930	35	4	1,55	40	47	0,30	10
11193931	38	4	1,43	39	51	0,32	10
10015348	40	4	1,36	38	53	0,34	10
10015349	45	4	1,21	35	58	0,38	10
10015350	50	4	1,10	33	64	0,41	10
10015351	55	4	1,00	30	69	0,45	10
10015352	60	4	0,92	26	75	0,49	10
10015353	65	4	0,84	23	80	0,53	10
10015354	70	4,5	0,78	19	87	0,52	10
10015355	75	4,5	0,73	17	92	0,55	10
10015356	80	4,5	0,69	16	98	0,59	10
10015357	90	4,5	0,61	14	109	0,66	10
10015358	100	4,5	0,55	11	120	0,80	10
10015359	110	4,5	0,50	10	131	0,88	10
10015360	115	4,5	0,48	9	136	0,92	10
10015361	120	4,5	0,46	9	142	0,96	10
10015362	125	4,5	0,44	7	147	0,99	10
10015363	130	4,5	0,43	7	153	1,03	10
10015364	140	4,5	0,39	7	164	1,11	10
10015365	150	4,5	0,37	7	175	1,39	10
10015366	160	4,5	0,35	6	186	1,48	10
10015367	170	4,5	0,32	5	195	1,55	10
11193932	175	4,5	0,32	5	202	1,61	10
10015368	180	4,5	0,31	5	208	1,66	10
10015369	200	4,5	0,28	5	230	1,84	10
10015370	225	4,5	0,25	3	257	2,06	10
10015371	250	4,5	0,22	2	285	2,28	10
10069510	275	4,5	0,20	2	312	2,51	10
11193943	280	4,5	0,19	2	318	2,55	10
10015372	300	4,5	0,18	2	340	2,74	10
11193944	320	4,5	0,18	1	362	2,91	10
10069511	325	4,5	0,17	1	367	2,96	10
10069512	350	4,5	0,16	1	395	3,18	10
10069513	400	4,5	0,14	1	450	4,09	10

Technical information at 20°C





#### RX® ABRAFLEX-MD

##### Application

- ducting hose for wearing solid substances such as granulate, chips
- also suitable for aggressive gaseous and liquid products
- good resistance to oil and petrol vapours

##### Temperature

-40 °C to +90 °C continuous,  
briefly to +125 °C

##### Design

- polyurethane profile, with flow direction, with a fully flush steel coil, thickness polyurethane approximately 1.5 mm

- int. particularly smooth, ext. corrugated
- flow direction marked by arrow head
- remains flexible, also at low temperatures
- softener- and halogen-free
- gas- and liquid-tight
- conducts electrostatic charge by means of the coil

##### Couplings

as chosen or to assemble straight on a pipe

##### Assembly method

worm screw clamps type SPIRALEX (see page 66-70)

#### Note

This hose is also available as an antistatic ( $R < 10^9 \Omega$ .) or electrically conductive ( $R < 10^4 \Omega$ .) design.

Data Table

ERIKS art.no.	Internal diameter	Wall thickness	Working pressure	Vacuum	Bending radius	Weight	Roll length
	mm	mm	bar	%	mm	kg/m	m
	13	3,5	4,50	100	20	0,14	15
	16	3,5	3,70	100	23	0,16	15
	20	3,5	3,65	97	27	0,23	15
10015453	25	3,5	3,05	96	32	0,28	15
	30	5	3,00	95	40	0,42	15
10015373	32	5	3,00	94	42	0,44	15
10069514	35	5	2,80	94	45	0,48	15
10015374	38	5	2,60	93	48	0,52	15
10015375	40	5	2,40	92	50	0,54	15
	42	5	2,35	92	52	0,56	15
10015376	45	5	2,20	91	55	0,60	15
10015377	50	5	2,10	90	60	0,66	15
10015378	55	5	1,95	90	65	0,72	15
10015379	60	5	1,80	75	70	0,78	15
10015380	65	5	1,65	97	75	0,84	15
10015381	70	5,5	1,55	60	97	0,98	15
10015382	75	5,5	1,45	55	103	1,04	10
10015383	80	5,5	1,35	50	109	1,11	10
10015384	90	5,5	1,20	38	121	1,24	10
10015385	100	5,5	1,09	35	133	1,47	10
10015386	110	5,5	0,99	32	145	1,61	10
10015387	120	5,5	0,91	28	157	1,75	10
10015388	125	5,5	0,88	26	163	1,82	10
11002311	130	5,5	0,84	24	169	1,89	10
10015389	140	5,5	0,78	21	181	2,03	10
10015390	150	5,5	0,73	18	193	2,38	10
10015391	160	5,5	0,69	16	205	2,53	10
10015392	175	5,5	0,63	14	223	2,77	10
10015451	180	5,5	0,61	13	229	2,84	10
10015393	200	6,5	0,55	12	256	3,09	10
	215	6,5	0,52	11	274	3,31	10
10015452	225	6,5	0,49	10	286	3,46	10
10015394	250	6,5	0,44	7	316	3,84	10
10069516	275	6,5	0,40	7	346	4,21	10
	280	6,5	0,40	7	352	4,29	10
10015395	300	6,5	0,37	6	376	4,59	10
	325	6,5	0,34	5,6	406	5,53	10
10069518	350	6,5	0,32	5	436	5,94	10
	375	6,5	0,30	4,6	466	6,36	10
	380	6,5	0,29	4,5	472	6,44	10
10069519	400	6,5	0,28	4	496	6,78	10
	450	6,5	0,25	3	556	7,61	10
11022273	500	7	0,22	2	617	8,45	10

Technical information at 20°C



#### RX® ABRAFLEX-FDA

##### Application

- ducting hose for wearing solid substances such as grain, meal, powders, etc.
- food quality
- also suitable for aggressive gaseous and liquid products
- microbe- and hydrolysis-resistant

##### Temperature

-40 °C to +90 °C continuous, briefly to +125 °C

##### Design

- polyurethane profile, with flow direction, with fully flush steel coil, thickness polyurethane approximately 1.5 mm
- int. particularly smooth, ext. corrugated

- flow direction marked by arrow head
- remains flexible, also at low temperatures
- softener- and halogen-free
- gas- and liquid-tight
- conducts electrostatic charge by means of the coil
- food quality: the hose complies with European Directive 90:128:CEE and FDA guidelines 21CFR 177.1680, 175.105 and 177.2600

##### Couplings

as chosen or to assemble straight on a pipe

##### Assembly method

worm screw clamps type SPIRALEX (see page 66-70)

#### Note

This design is also available in a lighter and heavier version.

Data Table

ERIKS art.no.	Internal diameter	Wall thickness	Working pressure	Vacuum	Bending radius	Weight	Roll length
	mm	mm	bar	%	mm	kg/m	m
11192934	20	3,5	3,300	82,50	27	0,23	15
11192935	25	3,5	2,650	82,00	32	0,28	15
11192936	30	5	2,650	81,00	40	0,42	15
11192937	32	5	2,650	80,00	42	0,44	15
11192938	35	5	2,440	79,50	45	0,48	15
11192939	38	5	2,300	79,00	48	0,52	15
11192940	40	5	2,190	78,00	50	0,54	15
11192941	42	5	2,090	78,00	52	0,56	15
11192942	45	5	1,950	77,00	55	0,60	15
11192974	50	5	1,900	77,00	60	0,66	15
11192975	55	5	1,750	70,00	65	0,72	15
11192976	60	5	1,600	64,00	70	0,78	15
11192977	65	5	1,470	57,00	75	0,84	15
11192978	70	5,5	1,371	51,00	97	0,98	15
11192979	75	5,5	1,280	47,00	103	1,04	10
11192980	80	5,5	1,200	43,00	109	1,11	10
11192981	90	5,5	1,070	32,00	121	1,24	10
11192982	100	5,5	0,970	30,00	133	1,47	10
11192993	110	5,5	0,880	27,00	145	1,61	10
11192994	115	5,5	0,845	25,50	151	1,68	10
11192995	120	5,5	0,810	24,00	157	1,75	10
11192996	125	5,5	0,780	22,00	163	1,82	10
11192997	130	5,5	0,750	20,50	169	1,89	10
11192998	140	5,5	0,695	18,00	181	2,03	10
11192999	150	5,5	0,650	15,50	193	2,38	10
11193000	160	5,5	0,610	14,00	205	2,53	10
11193001	175	5,5	0,560	12,00	223	2,77	10
11193002	180	5,5	0,540	11,50	229	2,84	10
11193003	200	6,5	0,490	10,00	256	3,09	10
11193004	215	6,5	0,455	9,00	274	3,31	10
11193005	225	6,5	0,435	8,30	286	3,46	10
11193006	250	6,5	0,390	6,40	316	3,84	10
11193007	275	6,5	0,355	5,90	346	4,21	10
11193008	280	6,5	0,350	5,80	352	4,29	10
11193009	300	6,5	0,325	5,40	376	4,59	10
11193010	325	6,5	0,300	4,80	406	5,53	10
11193011	350	6,5	0,280	4,30	436	5,94	10
11193012	375	6,5	0,260	3,90	466	6,36	10
11193023	380	6,5	0,260	3,80	472	6,44	10
11193024	400	6,5	0,245	3,60	496	6,78	10
11193025	450	6,5	0,220	2,60	556	7,61	10
11193026	500	7	0,195	2,10	617	8,45	10

Technical information at 20°C



### RX® ABRAFLEX-HD

#### Application

- ducting hose for highly wearing solid substances such as glass, grain, granulate, stone chippings, etc.
- wear-resistant transport hose for the glass industry, quarries, the chemical industry
- good resistance to oil and petrol vapours

#### Temperature

-40 °C to +90 °C continuous,  
briefly to +125 °C

#### Design

- polyurethane profile, with flow direction, with a fully flush steel coil, thickness polyurethane 2 to 2.5 mm

- interior particularly smooth, exterior corrugated
- flow direction marked by arrow head
- remains flexible, also at low temperatures
- softener- and halogen-free
- gas- and liquid-tight
- conducts electrostatic charge by means of the coil

#### Couplings

as chosen or to assemble straight on a pipe

#### Assembly method

worm screw clamps type SPIRALEX-HD (see page 66-70)

#### Note

This hose is also available as an antistatic ( $R < 10^9 \Omega$ .) or electrically conductive ( $R < 10^4 \Omega$ .) design.

Data Table

ERIKS art.no.	Internal diameter	Wall thickness	Working pressure	Vacuum	Bending radius	Weight	Roll length
	mm	mm	bar	%	mm	kg/m	m
11010480	32	5,5	4,70	100	116	0,66	15
10069495	38	5,5	4,00	100	132	0,77	15
	40	5,5	3,80	100	138	0,80	15
10015396	50	5,5	3,25	100	165	0,98	15
10069496	55	5,5	2,95	100	165	1,07	15
10015397	60	5,5	2,75	100	192	1,16	10
11085264	60	5,5	2,75	100	192		10
10069497	65	5,5	2,55	100	205	1,24	10
10069498	70	6	2,35	100	221	1,34	10
10015467	75	6	2,20	100	235	1,43	10
11070056	80	6	2,10	100	249	1,52	10
10015468	100	6,5	1,65	86	339	2,24	10
10069499	110	6,5	1,50	82	369	2,45	10
10069500	115	6,5	1,45	80	384	2,55	10
10069501	120	6,5	1,40	78	399	2,66	10
10015462	125	6,5	1,35	75	414	2,76	10
10069502	130	6,5	1,25	72	429	2,87	10
10069503	140	6	1,20	70	456	3,07	10
10015463	150	6,5	1,10	70	489	3,63	10
10069505	160	6,5	1,05	67	519	3,86	10
10069506	175	6,5	0,96	63	658	4,21	10
10015464	180	6,5	0,94	62	676	4,33	10
10015465	200	7	0,84	55	835	4,80	10
10069507	225	7	0,75	47	932	5,38	10
10069508	250	7	0,68	34	1.450	5,96	10
10069509	275	7	0,62	23	1.590	6,54	10
10015466	300	7	0,57	18	1.725	7,12	10

Technical information at 20°C



### RX® ABRAFLEX-SHD

#### Application

- extra heavy ducting hose for extremely wearing substances such as glass, grain, granulate, stone chippings, etc.
- wear-resistant transport hose for the glass industry, quarries, the chemical industry
- good resistance to oil and petrol vapours
- to use where an extra long life is required

#### Temperature

-40 °C to +90 °C continuous,  
briefly to +125 °C

#### Design

- polyurethane profile, With flow direction, With a fully flush steel coil, thickness polyurethane approx. 5 mm
- interior particularly smooth, exterior corrugated
- flow direction marked by arrow head
- remains flexible, also at low temperatures
- softener- and halogen-free
- gas- and liquid-tight
- conducts electrostatic charge by means of the coil

#### Couplings

as chosen or to assemble straight on a pipe

#### Assembly method

worm screw clamps type SPIRALEX-HD  
(see page 66-70)

**Data Table**

ERIKS art.no.	Internal diameter	Wall thickness	Working pressure	Vacuum	Bending radius	Weight	Roll length
	mm	mm	bar	%	mm	kg/m	m
11191916	100	10	2,65	100	600	4,17	10
11191917	102	10	2,62	100	610	4,25	10
11191918	125	10	2,16	90	725	5,11	10
11191919	127	10	2,12	90	735	5,19	10
11191920	150	10	1,81	80	1050	6,07	10
11191921	152	10,5	1,79	80	1050	6,57	10
11191922	200	10,5	1,37	65	1550	8,64	10

Technical information at 20°C



#### RX<sup>®</sup> EF-1 PVC

##### Application

- ducting hose for air, smoke, gases, dust, powders, etc.
- also often used in ventilation and air-conditioning systems

##### Temperature

-20 °C to +100 °C continuous,  
briefly to +120 °C

##### Design

- spring steel coil between 2 layers With PVC impregnated heat resistant textile fabric
- axially compressible (8: 1)
- the hose is self-extinguishing and complies With fire class CL-UL 94 V-O

##### Couplings

as chosen or to assemble straight on a pipe

##### Assembly method

ABA, Torro

**Data Table**

ERIKS art.no.	Int. diameter	Bending radius	Weight	Roll length
	mm	mm	kg/m	m
11028070	40	20	0,110	6
10014730	51	25	0,120	6
	60	30	0,140	6
10014732	63	32	0,150	6
10069581	70	35	0,160	6
10014733	76	40	0,175	6
	80	40	0,195	6
10014734	82	41	0,195	6
10014735	90	45	0,200	6
10014736	102	50	0,240	6
10014737	110	55	0,270	6
10014738	114	57	0,280	6
10014739	120	60	0,295	6
10014740	127	63	0,315	6
	130	65	0,325	6
10014741	140	70	0,350	6
10014742	152	75	0,370	6
10014743	160	80	0,440	6
10014744	165	83	0,490	6
10014745	180	90	0,535	6
10014746	203	100	0,600	6
10014747	228	115	0,660	6
10014748	254	125	0,790	6
10069583	279	140	0,880	6
10014749	305	150	0,950	6
10069584	315	155	1,000	6
10014750	356	175	1,110	6
10014751	406	200	1,280	6
10014752	457	228	1,490	6
10014753	508	254	1,710	6



### RX® EF-1 SIL

#### Application

- ducting hose for hot air, smoke, gases, etc.
- suitable for extreme applications

#### Temperature

-85 °C to +260 °C continuous

#### Design

- free-standing bronzed coil With glass fibre cloth, silicon-impregnated and glass fibre cord
- colour red

#### Couplings

as chosen or to assemble straight on a pipe

#### Assembly method

ABA, Torro

**Data Table**

ERIKS art.no.	Internal diameter	Working pressure	Vacuum	Bending radius	Roll length
	mm	bar	%	mm	m
10015607	25	1,6	51	32	4
11123817	30	1,5	47	40	4
10015608	32	1,5	47	40	4
10015609	38	1,4	45	52	4
10014756	50	1,2	43	67	4
10015610	51	1,2	43	67	4
10014757	60	1,1	40	78	4
10015611	63	1,1	37	89	4
11028529	70	1,1	35	100	4
10014758	76	1,1	34	101	4
10014759	80	1,1	32	107	4
10015612	83	1,05	30	115	4
10015613	90	1	28	125	4
10014760	102	0,9	26	136	4
10015614	114	0,85	19	155	4
10015615	127	0,8	17	172	4
10015616	140	0,7	14	194	4
10014761	152	0,7	14	205	4
10014762	180	0,6	10	240	4
10015618	203	0,55	7	290	4
10015619	254	0,5	5	354	4
10014763	305	0,35	5	435	4





### RX® EF-2 SIL

#### Application

- ducting hose for hot air, smoke, gases, etc.
- suitable for extreme applications

#### Temperature

-85 °C to +260 °C continuous

#### Design

- bronzed coil between 2 layers glass fibre cloth, silicon-impregnated and glass fibre cord
- colour red

#### Couplings

as chosen or to assemble straight on a pipe

#### Assembly method

ABA, Torro

**Data Table**

ERIKS art.no.	Internal diameter	Working pressure	Vacuum	Bending radius	Roll length
	mm	bar	%	mm	m
10015644	25	2,8	71	37	4
10015645	32	2,7	65	50	4
10015646	38	2,7	60	60	4
10015647	51	2,6	52	75	4
10015648	63	2,45	47	92	4
10015649	76	2,3	43	116	4
10015650	83	2,15	40	129	4
10015651	90	2,1	37	140	4
11060354	95	2	36	148	4
10015652	102	1,9	35	157	4
10015653	114	1,6	27	175	4
10015654	127	1,4	24	197	4
10015655	140	1,2	18	220	4
10015656	152	1,1	16	237	4
10015657	178	1	12	270	4
10015658	203	0,85	9	330	4
11008765	229	0,7	7	399	4
10015659	254	0,7	7	399	4



#### RX® VULCANO

##### Application

- ducting hose for cold and hot air, gas, vapours, etc.
- for applications where friction wear occurs

##### Temperature

-40 °C to +125 °C continuous

##### Design

- thermoplastic (PP/EPDM), extruded, With fully flush steel coil
- interior and exterior corrugated
- ultralight and flexible, also at low temperatures
- gas- and liquid-tight

##### Couplings

as chosen or to assemble straight on a pipe

##### Assembly method

ABA, Torro, Norma, Power Clamp

**Data Table**

ERIKS art.no.	Internal diameter	Wall thickness	Vacuum	Bending radius	Weight	Roll length
	mm	mm	%	mm	kg/m	m
11192764	40	1,8	20	32	0,165	20
11192765	51	1,8	20	40	0,210	20
11192766	60	1,8	17	50	0,245	20
11192767	63	1,8	17	55	0,260	20
11192768	70	2,0	17	60	0,360	20
11192769	76	2,0	17	65	0,390	20
11192770	80	2,0	16	65	0,410	20
11192771	90	2,0	16	75	0,450	20
11192772	102	2,0	13	85	0,495	15
11192853	110	2,2	12	90	0,610	15
11192854	120	2,2	10	100	0,660	15
11192855	127	2,2	10	105	0,690	15
11192856	130	2,2	8	105	0,700	15
11192857	140	2,4	8	115	0,810	15
11192858	152	2,4	8	125	0,910	15
11192859	160	2,4	7	130	0,950	15
11192860	180	2,6	5	150	1,210	15
11192861	203	2,6	4	165	1,320	15
11192862	228	2,6	4	185	1,490	10
11192863	254	2,8	4	210	1,800	10
11192864	279	2,8	4	230	1,950	10

Technical information at 20°C





### RX® EF-1 NEO

#### Application

ducting hose for cold and hot air, smoke, gases, etc.

#### Temperature

-35 °C to +150 °C continuous

#### Design

free-standing bronzed coil With glass fibre cloth, neoprene-impregnated glass fibre cord

#### Couplings

as chosen or to assemble straight on a pipe

#### Assembly method

ABA, Torro

**Data Table**

ERIKS art.no.	Internal diameter	Working pressure	Vacuum	Bending radius	Roll length
	mm	bar	%	mm	m
10015585	25	1,6	51	32	4
10015586	38	1,4	46	52	4
10015587	44	1,25	44	64	4
10015588	51	1,2	43	67	4
10015589	57	1,15	38	80	4
10015590	63	1,15	37	89	4
10015591	70	1,12	35	93	4
10015592	76	1,1	34	101	4
10015593	83	1,05	30	115	4
10015594	90	1	28	125	4
10015595	95	0,95	27	130	4
10015596	102	0,9	26	136	4
10015597	110	0,87	23	150	4
10015598	114	0,85	20	155	4
10015599	120	0,82	19	160	4
10015600	127	0,8	17	178	4
10015601	140	0,7	14	194	4
10015602	152	0,7	14	205	4
11077410	160	0,7	14	205	4
10015603	180	0,6	10	240	4
10015604	203	0,55	7	290	4
10015605	254	0,5	5	354	4
10015606	305	0,35	5	435	4



### RX® EF-2 NEO

#### Application

ducting hose for cold and hot air, smoke, gases, etc.

#### Temperature

-35 °C to +150 °C continuous

#### Design

- bronzed coil between 2 layers glass fibre cloth, silicon-impregnated and glass fibre cord
- interior smooth

#### Couplings

as chosen or to assemble straight on a pipe

#### Assembly method

ABA, Torro

**Data Table**

ERIKS art.no.	Internal diameter	Working pressure	Vacuum	Bending radius	Roll length
	mm	bar	%	mm	m
10015620	19	2,8	71	31	4
10015621	25	2,8	71	37	4
10015622	32	2,7	65	50	4
10015623	38	2,7	60	60	4
10015624	44	2,7	57	70	4
10015625	51	2,6	52	75	4
10015626	57	2,5	50	88	4
11149539	60	2,48	48	90	4
10015627	63	2,45	47	92	4
11149540	65	2,42	46	96	4
10015628	70	2,35	45	100	4
10015629	76	2,3	43	116	4
10015630	83	2,15	40	129	4
10015631	90	2,1	37	140	4
10015632	95	2	36	150	4
10015633	102	1,9	35	157	4
10015634	110	1,7	30	165	4
10015635	114	1,6	27	175	4
10015636	127	1,4	24	197	4
10015637	130	1,3	22	200	4
10015638	140	1,2	18	220	4
10015639	152	1,1	16	237	4
11132585	165	1,1	16	237	4
10015640	180	1	12	270	4
10015641	203	0,85	9	330	4
10015642	254	0,7	7	399	4
10015643	305	0,5	5	505	4



#### RX® CP HYPALON 450

##### Application

- CP ducting hose for cold and hot air, smoke and fumes
- also for use as folding bellows or compensator
- resistant to vibrations and mechanical judder

##### Temperature

-40 °C to +170 °C continuous

##### Design

- polyester fabric, Hypalon-impregnated  
With clamping profile in galvanised steel

- high axial compressibility (4:1)
- extremely flexible and kink-resistant
- very good resistance to oil and petrol vapours
- good chemical resistance
- exterior resistant to friction: the clamping profile precludes the wearing through of the outer foil

##### Couplings

as chosen or to assemble straight on a pipe

##### Assembly method

worm screw clamps type SPIRALEX (see page 66-70)

**Data Table**

ERIKS art.no.	Int. diameter	Ext. diameter	Working pressure	Vacuum	Bending radius	Weight	Roll length
	mm	mm	bar	%	mm	kg/m	m
11194213	38	50	0,805	45	40	0,60	6
11194214	40	52	0,785	44	42	0,62	6
11194215	50	62	0,700	38	50	0,76	6
11194216	55	67	0,660	35	54	0,82	6
11194217	60	72	0,630	32	58	0,89	6
11194218	65	77	0,600	29	62	0,96	6
11194219	70	82	0,570	26	66	1,03	6
11194220	75	87	0,545	23	70	1,09	6
11194221	80	92	0,525	20	74	1,16	6
11194222	90	102	0,485	14	82	1,30	6
11194243	100	112	0,320	12	78	1,03	6
11194244	110	122	0,300	10	85	1,13	6
11194245	120	132	0,280	9	92	1,22	6
11194246	125	137	0,275	8,5	96	1,27	6
11194247	130	142	0,270	7,5	99	1,32	6
11194248	140	152	0,255	6	106	1,42	6
11194249	150	162	0,175	5	113	1,04	6
11194250	160	172	0,165	4,5	120	1,11	6
11194251	170	182	0,160	4,2	127	1,17	6
11194252	175	187	0,155	4	131	1,21	6
11194253	180	192	0,155	3,8	134	1,24	6
11194254	200	212	0,145	3	148	1,37	6
11194255	215	227	0,135	2,8	159	1,47	6
11194256	225	237	0,135	2,6	166	1,54	6
11194257	250	262	0,100	2,3	183	1,71	6
11194258	275	287	0,095	1,9	201	1,87	6
11194259	300	312	0,090	1,5	218	2,04	6
11194260	350	362	0,065	1,3	253	2,37	6
11194261	400	412	0,060	1	288	2,71	6
11194262	450	462	0,054	0	323	3,04	6
11194273	500	512	0,036	0	358	3,37	6
11194274	600	612	0,031	0	428	4,04	6
11194275	700	712	0,027	0	498	4,71	6
11194276	800	812	0,024	0	568	5,37	6
11194277	900	912	0,022	0	638	6,04	6
11194278	1.000	1.012	0,020	0	708	6,71	6



#### RX® CP PUR 455 MH

##### Application

- CP ducting hose for cold and hot air, smoke, oil vapours, welding fumes, slightly wearing substances such as dust and powder
- also for use as folding bellows or compensator
- resistant to vibrations and mechanical judder

##### Temperature

-40 °C to +90 °C continuous, briefly to +125 °C

##### Design

- polyurethane hose wall, clamping profile in galvanised steel

- hydrolysis- and microbe-resistant
- softener- and halogen-free
- high axial compressibility (5:1)
- extremely flexible and kink-resistant
- very good resistance to oil and petrol vapours
- good chemical resistance
- exterior resistant to friction: the clamping profile precludes the wearing through of the outer foil

##### Couplings

as chosen or to assemble straight on a pipe

##### Assembly method

worm screw clamps type SPIRALEX (see page 66-70)

**Data Table**

ERIKS art.no.	Int. diameter mm	Ext. diameter mm	Working pressure bar	Vacuum %	Bending radius mm	Weight kg/m	Roll length m
11193027	50	62	0,280	27	50	0,81	6
11193028	55	67	0,255	25	54	0,88	6
11193029	60	72	0,235	22	58	0,96	6
11193030	65	77	0,215	20	62	1,03	6
11193031	70	82	0,200	18	66	1,10	6
11193032	75	87	0,190	16	70	1,17	6
11193073	80	92	0,175	14	74	1,25	6
11193074	90	102	0,155	10	82	1,39	6
11193075	100	112	0,140	8,5	90	1,11	6
11193076	110	122	0,130	7,5	98	1,21	6
11193077	120	132	0,120	6,5	106	1,32	6
11193078	125	137	0,110	6	110	1,37	6
11193079	130	142	0,110	5,3	114	1,42	6
11193080	140	152	0,100	4,2	122	1,53	6
11193081	150	162	0,095	3,5	130	1,63	6
11193082	160	172	0,090	3,2	138	1,74	6
11193103	170	182	0,080	3	146	1,84	6
11193104	175	187	0,080	2,8	150	1,89	6
11193105	180	192	0,080	2,7	154	1,95	6
11193106	200	212	0,070	2,1	170	2,15	6
11193107	215	227	0,065	2	182	2,31	6
11193108	225	237	0,060	1,8	190	2,42	6
11193110	250	262	0,055	1,6	210	2,68	6
11193111	275	287	0,050	1,3	230	2,94	6
11193112	300	312	0,045	1,1	250	3,20	6
11193143	350	362	0,040	0,9	290	3,72	6
11193144	400	412	0,035	0,7	330	4,25	6
11193145	450	462	0,031	0,5	370	4,77	6
11193146	500	512	0,028	0,4	410	5,29	6
11193147	600	612	0,023	0,3	490	6,34	6
11193148	700	712	0,020	0,2	570	7,38	6
11193149	800	812	0,018	0,1	650	8,43	6
11193150	900	912	0,016	0,1	730	9,48	6
11193151	1.000	1.012	0,014	0,1	810	10,54	6



#### RX® CP PE 457

##### Application

- CP ducting hose for cold and hot air, slightly wearing substances such as dust and powder during recovery work on asbestos insulation in buildings
- also for use as folding bellows or compensator

##### Temperature

-35 °C to +80 °C continuous,  
briefly to +125 °C

##### Design

- PE foil, clamping profile in galvanised steel
- high axial compressibility (4:1)
- extremely flexible and kink-resistant
- good chemical resistance
- exterior resistant to friction: the clamping profile precludes the wearing through of the outer foil

##### Couplings

as chosen or to assemble straight on a pipe

##### Assembly method

worm screw clamps type SPIRALEX  
(see page 66-70)

**Data Table**

ERIKS art.no.	Int. diameter	Ext. diameter	Working pressure	Vacuum	Bending radius	Weight	Roll length
	mm	mm	bar	%	mm	kg/m	m
11193163	50	62	0,490	27	43	0,63	6
11193164	55	67	0,460	25	47	0,68	6
11193165	60	72	0,440	22	50	0,74	6
11193166	65	77	0,420	20	54	0,79	6
11193167	70	82	0,400	18	57	0,85	6
11193168	75	87	0,380	16	61	0,91	6
11193169	80	92	0,365	14	64	0,96	6
11193170	90	102	0,340	10	71	1,07	6
11193171	100	112	0,225	8,5	78	0,82	6
11193172	110	122	0,210	7,5	85	0,90	6
11193173	120	132	0,200	6,5	92	0,98	6
11193174	125	137	0,195	6	96	1,00	6
11193175	130	142	0,190	5,3	99	1,06	6
11193176	140	152	0,180	4,2	106	1,14	6
11193177	150	162	0,120	3,5	113	0,79	6
11193178	160	172	0,115	3,2	120	0,84	6
11193179	170	182	0,110	3	127	0,89	6
11193180	175	187	0,110	2,8	131	0,91	6
11193181	180	192	0,110	2,7	134	0,94	6
11193182	200	212	0,100	2,1	148	1,04	6
11193193	215	227	0,095	2	159	1,11	6
11193194	225	237	0,090	1,8	166	1,16	6
11193195	250	262	0,070	1,6	183	1,29	6
11193196	275	287	0,065	1,3	201	1,42	6
11193197	300	312	0,060	1,1	218	1,54	6
11193198	350	362	0,045	0,9	253	1,79	6
11193199	400	412	0,040	0,7	288	2,05	6
11193200	450	462	0,037	0,5	323	2,30	6
11193201	500	512	0,025	0,4	358	2,55	6
11193202	600	612	0,022	0,3	428	3,06	6
11193223	700	712	0,019	0,2	498	3,56	6
11193224	800	812	0,017	0,1	568	4,07	6
11193225	900	912	0,015	0,1	638	4,58	6
11193226	1.000	1.012	0,010	0,1	708	5,08	6



#### RX® CP VITON 459

##### Application

- CP ducting hose for aggressive vapours and smoke in an explosion-sensitive space in the chemical industry
- also for use as folding bellows or compensator

##### Temperature

-20 °C to +210 °C continuous

##### Design

- polyester fabric, Viton-impregnated, clamping profile in galvanised steel
- high axial compressibility (4:1)

- surface resistance and flow resistance < 104 W
- extremely flexible and kink-resistant
- UV- and ozone-resistant
- very good chemical resistance
- exterior resistant to friction: the clamping profile precludes the wearing through of the outer foil

##### Couplings

as chosen or to assemble straight on a pipe

##### Assembly method

worm screw clamps type SPIRALEX (see page 66-70)

**Data Table**

ERIKS art.no.	Int. diameter	Ext. diameter	Working pressure	Vacuum	Bending radius	Weight	Roll length
	mm	mm	bar	%	mm	kg/m	m
11193228	38	50	0,805	45	40	0,51	6
11193229	40	52	0,785	44	42	0,54	6
11193230	50	62	0,700	38	50	0,67	6
11193231	55	67	0,660	35	54	0,73	6
11193232	60	72	0,630	32	58	0,79	6
11193263	65	77	0,600	29	62	0,85	6
11193264	70	82	0,570	26	66	0,91	6
11193265	75	87	0,545	23	70	0,97	6
11193266	80	92	0,525	20	74	1,03	6
11193267	90	102	0,485	14	82	1,15	6
11193268	100	112	0,320	12	78	0,90	6
11193269	110	122	0,300	10,5	85	0,98	6
11193270	120	132	0,280	9	92	1,07	6
11193271	125	137	0,275	8,5	96	1,11	6
11193272	130	142	0,270	7,5	99	1,15	6
11193293	140	152	0,255	6	106	1,23	6
11193294	150	162	0,175	5	113	0,88	6
11193295	160	172	0,165	4,5	120	0,93	6
11193296	170	182	0,160	4,2	127	0,99	6
11193297	175	187	0,155	4	131	1,02	6
11193298	180	192	0,155	3,8	134	1,04	6
11193299	200	212	0,145	3	148	1,16	6
11193300	215	227	0,135	2,8	159	1,24	6
11193301	225	237	0,135	2,6	166	1,30	6
11193302	250	262	0,100	2,3	183	1,44	6
11193313	275	287	0,095	1,9	201	1,58	6
11193315	300	312	0,090	1,5	218	1,72	6
11193316	350	362	0,065	1,3	253	2,00	6
11193317	400	412	0,060	1,1	288	2,28	6
11193318	450	462	0,054	0,8	323	2,56	6
11193322	500	512	0,036	0,6	358	2,84	6
11193324	600	612	0,031	0,4	428	3,40	6
11193325	700	712	0,027	0,2	498	3,96	6
11193326	800	812	0,024	0,2	568	4,52	6
11193327	900	912	0,022	0,1	638	5,09	6
11193328	1.000	1.012	0,020	0,1	708	5,65	6





#### RX® CP SILIKON 460

##### Application

- CP ducting hose for cold and hot air, smoke, vapours and exhaust gases
- also for use as folding bellows or compensator

##### Temperature

-70 °C to +260 °C continuous,  
briefly to +280 °C

##### Design

- glass cloth, silicone-impregnated with clamping profile in galvanised steel
- high axial compressibility (4:1)
- extremely flexible and kink-resistant

- moderately resistant to oil and petrol vapours
- very good chemical resistance. UV- and ozone-resistant
- exterior resistant to friction: the clamping profile precludes the wearing through of the outer foil

##### Couplings

as chosen or to assemble straight on a pipe

##### Assembly method

worm screw clamps type SPIRALEX  
(see page 66-70)

**Data Table**

ERIKS art.no.	Int. diameter	Ext. diameter	Working pressure	Vacuum	Bending radius	Weight	Roll length
	mm	mm	bar	%	mm	kg/m	m
11193569	38	50	0,645	36	35	0,56	6
11193570	40	52	0,630	35	36	0,58	6
11193571	50	62	0,560	30	43	0,71	6
11193572	55	67	0,530	28	47	0,77	6
11193623	60	72	0,500	25	50	0,84	6
11193624	65	77	0,480	23	54	0,90	6
11193625	70	82	0,455	21	57	0,96	6
11193626	75	87	0,435	18	61	1,03	6
11193627	80	92	0,420	16	64	1,09	6
11193628	90	102	0,385	11	71	1,22	6
11193629	100	112	0,255	10	78	0,95	6
11193630	110	122	0,240	8,5	85	1,04	6
11193631	120	132	0,225	7,5	92	1,13	6
11193632	125	137	0,220	7	96	1,18	6
11193633	130	142	0,215	6	99	1,22	6
11193634	140	152	0,205	5	106	1,31	6
11193635	150	162	0,140	4	113	0,95	6
11193636	160	172	0,135	3,5	120	1,01	6
11193637	170	182	0,130	3,4	127	1,07	6
11193638	175	187	0,125	3,2	131	1,10	6
11193639	180	192	0,125	3	134	1,13	6
11193640	200	212	0,115	2,4	148	1,25	6
11193641	215	227	0,110	2,2	159	1,34	6
11193642	225	237	0,105	2,1	166	1,40	6
11193653	250	262	0,080	1,8	183	1,56	6
11193654	275	287	0,075	1,5	201	1,71	6
11193655	300	312	0,070	1,2	218	1,86	6
11193656	350	362	0,050	1	253	2,16	6
11193657	400	412	0,047	0,8	288	2,47	6
11193658	450	462	0,043	0,6	323	2,77	6
11193659	500	512	0,029	0,5	358	3,07	6
11193660	600	612	0,025	0,3	428	3,68	6
11193661	700	712	0,022	0,2	498	4,29	6
11193662	800	812	0,019	0,1	568	4,90	on request
11193683	900	912	0,017	0,1	638	5,50	on request
11193684	1.000	1.012	0,016	0,1	708	6,11	on request



#### RX® CP ARAMID 461

##### Application

- CP ducting hose for hot air, smoke, gas, vapours, exhaust gases, preheating engines, etc.
- also for use as folding bellows or compensator
- resistant to vibrations and mechanical judder

##### Temperature

-70 °C to +260 °C continuous,  
briefly to +300 °C

##### Design

- special impregnated ceramic tissue fabric, with clamping profile in galvanised steel

- high axial compressibility (4:1)
- flexible and kink-resistant
- very good chemical resistance.
- mechanically strong
- exterior resistant to friction: the clamping profile precludes the wearing through of the outer foil

##### Couplings

as chosen or to assemble straight on a pipe

##### Assembly method

Worm screw clamps type SPIRALEX

(see page 66-70)

**Data Table**

ERIKS art.no.	Int. diameter	Ext. diameter	Working pressure	Vacuum	Bending radius	Weight	Roll length
	mm	mm	bar	%	mm	kg/m	m
11193331	38	50	0,645	45	40	0,51	6
11193332	40	52	0,630	44	42	0,54	6
11193403	50	62	0,560	38	50	0,65	6
11193404	55	67	0,530	35	54	0,71	6
11193405	60	72	0,500	32	58	0,77	6
11193406	65	77	0,480	29	62	0,83	6
11193407	70	82	0,455	26	66	0,88	6
11193408	75	87	0,435	23	70	0,94	6
11193409	80	92	0,420	20	74	1,00	6
11193410	90	102	0,385	14	82	1,12	6
11193411	100	112	0,255	12	90	0,86	6
11193412	110	122	0,240	10,5	98	0,94	6
11193423	120	132	0,225	9	106	1,03	6
11193424	125	137	0,220	8,5	110	1,07	6
11193425	130	142	0,215	7,5	114	1,11	6
11193426	140	152	0,205	6	122	1,19	6
11193427	150	162	0,140	5	130	0,83	6
11193428	160	172	0,135	4,5	138	0,89	6
11193429	170	182	0,130	4,2	146	0,94	6
11193430	175	187	0,125	4	150	0,97	6
11193431	180	192	0,125	3,8	154	1,00	6
11193432	200	212	0,115	3	170	1,10	6
11193443	215	227	0,110	2,8	182	1,18	6
11193444	225	237	0,105	2,6	190	1,24	6
11193445	250	262	0,080	2,3	210	1,37	6
11193446	275	287	0,075	1,9	230	1,50	6
11193447	300	312	0,070	1,5	250	1,64	6
11193448	350	362	0,050	1,3	290	1,90	6
11193449	400	412	0,047	1,1	330	2,17	6
11193450	450	462	0,043	0,8	370	2,44	6
11193451	500	512	0,029	0,6	410	2,71	on request
11193452	600	612	0,025	0,4	490	3,24	on request
11193453	700	712	0,022	0,2	570	3,78	on request
11193454	800	812	0,019	0,2	650	4,31	on request
11193455	900	912	0,017	0,1	730	4,85	on request
11193456	1.000	1.012	0,016	0,1	810	5,39	on request





#### RX® CP PTFE/GLAS 471

##### Application

- CP ducting hose for extremely cold air, hot air, and aggressive vapours e.g. in the chemical industry
- also for use as folding bellows or compensator

##### Temperature

-200 °C to +250 °C continuous,  
briefly to +270 °C

##### Design

- PTFE-foil interior, special glass cloth exterior, with a clamping profile in stainless steel
- high axial compressibility (3:1)

- flexible and kink-resistant
- very good chemical resistance
- mechanically strong
- anti-adhesion inside wall
- UV- and ozone-resistant
- exterior resistant to friction: the clamping profile precludes the wearing through of the outer foil

##### Couplings

as chosen or to assemble straight on a pipe

##### Assembly method

worm screw clamps type SPIRALEX  
(see page 66-70)

**Data Table**

ERIKS art.no.	Int. diameter mm	Ext. diameter mm	Working pressure bar	Vacuum %	Bending radius mm	Weight kg/m	Roll length m
11193474	50	62	0,420	30	43	0,67	6
11193475	55	67	0,400	28	47	0,73	6
11193476	60	72	0,375	25	50	0,79	6
11193477	65	77	0,360	23	54	0,85	6
11193478	70	82	0,340	21	57	0,91	6
11193479	75	87	0,330	18	61	0,97	6
11193480	80	92	0,315	16	64	1,03	6
11193481	90	102	0,290	11	71	1,15	6
11193482	100	112	0,190	10	78	0,89	6
11193533	110	122	0,180	8,5	85	0,98	6
11193534	120	132	0,170	7,5	92	1,06	6
11193535	125	137	0,165	7	96	1,10	6
11193536	130	142	0,160	6	99	1,15	6
11193537	140	152	0,155	5	106	1,23	6
11193538	150	162	0,105	4	113	0,87	6
11193539	160	172	0,100	3,5	120	0,93	6
11193540	170	182	0,095	3,4	127	0,98	6
11193541	175	187	0,095	3,2	131	1,01	6
11193542	180	192	0,090	3,0	134	1,03	6
11193543	200	212	0,085	2,4	148	1,15	6
11193544	215	227	0,080	2,2	159	1,23	6
11193545	225	237	0,080	2,1	166	1,29	6
11193546	250	262	0,060	1,8	183	1,43	6
11193547	275	287	0,055	1,5	201	1,57	6
11193548	300	312	0,050	1,2	218	1,71	6
11193549	350	362	0,040	1	253	1,99	6
11193550	400	412	0,035	0,8	288	2,27	6
11193551	450	462	0,032	0,6	323	2,55	6
11193552	500	512	0,022	0,5	358	2,83	6
11193563	600	612	0,018	0,3	428	3,39	6
11193564	700	712	0,016	0,2	498	3,94	6
11193565	800	812	0,014	0,1	568	4,50	6
11193566	900	912	0,013	0,1	638	5,07	6
11193567	1.000	1.012	0,012	0,1	708	5,62	6



#### RX® CP PTFE 475

##### Application

- CP ducting hose for extremely cold air, hot air, and aggressive vapours e.g. in the chemical industry
- thanks to the PTFE wall also for use in the food industry
- also for use as folding bellows or compensator

##### Temperature

-200 °C to +250 °C continuous, briefly to +270 °C

##### Design

- glass fabric, PTFE-impregnated, exterior with clamping profile in stainless steel
- high axial compressibility (4:1)

- complies with FDA (21 CFR 177.1550) conditions for the food industry
- very flexible and kink-resistant
- non-flammable
- very good chemical resistance
- mechanically strong
- anti-adhesion inner wall
- UV- and ozone-resistant
- exterior resistant to friction: the clamping profile precludes the wearing through of the outer foil

##### Couplings

as chosen or to assemble straight on a pipe

##### Assembly method

worm screw clamps type SPIRALEX (see page 66-70)

**Data Table**

ERIKS art.no.	Int. diameter mm	Ext. diameter mm	Working pressure bar	Vacuum %	Bending radius mm	Weight kg/m	Roll length m
11193685	50	62	0,420	27	43	0,52	6
11193686	55	67	0,400	25	47	0,59	6
11193687	60	72	0,375	22	50	0,64	6
11193688	65	77	0,360	20	54	0,69	6
11193689	70	82	0,340	18	57	0,74	6
11193690	75	87	0,330	16	61	0,79	6
11193691	80	92	0,315	14	64	0,84	6
11193692	90	102	0,290	10	71	0,93	6
11193743	100	112	0,190	8,5	78	0,77	6
11193744	110	122	0,180	7,5	85	0,85	6
11193745	120	132	0,170	6,5	92	0,92	6
11193746	125	137	0,165	6	96	0,96	6
11193747	130	142	0,160	5,3	99	0,99	6
11193748	140	152	0,155	4,2	106	1,06	6
11193749	150	162	0,105	3,5	113	0,79	6
11193750	160	172	0,100	3,2	120	0,84	6
11193751	170	182	0,095	3	127	0,89	6
11193752	175	187	0,095	2,8	131	0,91	6
11193753	180	192	0,090	2,7	134	0,94	6
11193754	200	212	0,085	2,1	148	1,04	6
11193755	215	227	0,080	2	159	1,11	6
11193756	225	237	0,080	1,8	166	1,16	6
11193757	250	262	0,060	1,6	183	1,29	6
11193758	275	287	0,055	1,3	201	1,42	6
11193759	300	312	0,050	1,1	218	1,54	6
11193760	350	362	0,040	0,9	253	1,79	6
11193761	400	412	0,035	0,7	288	2,05	6
11193762	450	462	0,032	0,5	323	2,30	6
11193763	500	512	0,022	0,4	358	2,55	6
11193764	600	612	0,018	0,3	428	3,06	6
11193765	700	712	0,016	0,2	498	3,56	6
11193766	800	812	0,014	0,1	568	4,07	6
11193767	900	912	0,013	0,1	638	4,58	6
11193768	1.000	1.012	0,012	0,1	708	5,08	6



#### RX® CP HiTex 480

##### Application

- CP ducting hose for hot air, smoke and exhaust gases, vapours, etc. where higher temperatures occur
- also for use as folding bellows or compensator

- high axial compressibility (3:1)
- flexible and kink-resistant
- robust design
- exterior resistant to friction: the clamping profile precludes the wearing through of the outer foil

##### Temperature

-60 °C to +400 °C continuous, briefly to +450 °C

##### Couplings

as chosen or to assemble straight on a pipe

##### Design

- special impregnated glass fabric, stainless steel-strengthened, exterior with clamping profile in stainless steel

##### Assembly method

worm screw clamps type SPIRALEX (see page 66-70)

**Data Table**

ERIKS art.no.	Int. diameter	Ext. diameter	Working pressure	Vacuum	Bending radius	Weight	Roll length
	mm	mm	bar	%	mm	kg/m	m
11194279	38	50	0,805	45	40	0,58	6
11194280	40	52	0,785	44	42	0,60	6
11194281	50	62	0,700	38	50	0,74	6
11194282	55	67	0,660	35	54	0,80	6
11194333	60	72	0,630	32	58	0,87	6
11194334	65	77	0,600	29	62	0,94	6
11194335	70	82	0,570	26	66	1,00	6
11194336	75	87	0,545	23	70	1,07	6
11194337	80	92	0,525	20	74	1,13	6
11194338	90	102	0,485	14	82	1,26	6
11194339	100	112	0,320	12	78	1,00	6
11194340	110	122	0,300	10,5	85	1,09	6
11194341	120	132	0,280	9	92	1,19	6
11194342	125	137	0,275	8,5	96	1,23	6
11194343	130	142	0,270	7,5	99	1,28	6
11194344	140	152	0,255	6	106	1,38	6
11194345	150	162	0,175	5	113	1,00	6
11194346	160	172	0,165	4,5	120	1,07	6
11194347	170	182	0,160	4,2	127	1,13	6
11194348	175	187	0,155	4	131	1,16	6
11194349	180	192	0,155	3,8	134	1,20	6
11194350	200	212	0,145	3	148	1,32	6
11194351	215	227	0,135	2,8	159	1,42	6
11194352	225	237	0,135	2,6	166	1,48	6
11194363	250	262	0,100	2,3	183	1,65	6
11194364	275	287	0,095	1,9	201	1,81	6
11194365	300	312	0,090	1,5	218	1,97	6
11194366	350	362	0,065	1,3	253	2,29	6
11194367	400	412	0,060	1,1	288	2,61	6
11194368	450	462	0,054	0,8	323	2,93	6
11194369	500	512	0,036	0,6	358	3,25	6
11194370	600	612	0,031	0,4	428	3,89	6
11194371	700	712	0,027	0,2	498	4,54	6
11194372	800	812	0,024	0,2	568	5,18	6
11194383	900	912	0,022	0,1	638	5,82	6
11194384	1.000	1.012	0,020	0,1	708	6,46	6



#### RX® CP HiTex 481

##### Application

- CP ducting hose for hot air, smoke and waste gases, vapours, etc. where higher temperatures occur
- hot air blower hose for the preheating of engines
- also for use as folding bellows or compensator

##### Temperature

-60 °C to +600 °C continuous,  
briefly to +700 °C

##### Design

- 2 layers of special impregnated glass fabric, stainless steel-strengthened, exterior with clamping profile in stainless steel

- axially compressible
- flexible and kink-resistant
- robust design
- exterior resistant to friction: the clamping profile precludes the wearing through of the outer foil

##### Couplings

as chosen or to assemble straight on a pipe

##### Assembly method

worm screw clamps type SPIRALEX  
(see page 66-70)

**Data Table**

ERIKS art.no.	Int. diameter	Ext. diameter	Vacuum	Bending radius	Weight	Roll length
	mm	mm	%	mm	kg/m	m
11194386	75	89	29	80	2,18	6
11194387	80	94	25	85	2,44	6
11194388	90	104	18	94	2,58	6
11194389	100	114	15	103	2,58	6
11194390	110	124	13	112	2,49	6
11194391	120	134	11	121	2,70	6
11194392	125	139	10	125	2,81	6
11194403	130	144	9,5	130	2,92	6
11194404	140	154	7,5	139	3,13	6
11194405	150	164	6	148	2,13	6
11194406	160	174	5,5	157	2,26	6
11194408	170	184	5	166	2,40	6
11194409	175	189	5	170	2,46	6
11194410	180	194	4,8	175	2,53	6
11194412	200	214	3,8	193	2,80	6
11194414	215	229	3,5	206	3,01	6
11194416	225	239	3,2	215	3,14	6
11194417	250	264	2,9	238	3,48	6
11194418	275	289	2,4	260	3,82	6
11194419	300	314	1,9	283	4,16	6
11194420	350	364	1,6	328	4,83	6
11194421	400	414	1,3	373	5,51	6
11194422	450	464	1	418	6,12	6
11194453	500	514	0,7	463	6,86	on request
11194454	600	614	0,5	553	8,22	on request
11194455	700	714	0,3	643	9,59	on request
11194456	800	814	0,2	733	10,96	on request
11194457	900	914	0,1	823	12,33	on request
11194458	1.000	1.014	0,1	913	13,70	on request



#### RX-CP HiTex 482

##### Application

- CP ducting hose for hot air, smoke and waste gases, vapours, etc. where higher temperatures occur
- hot air blower hose for the preheating of engines
- also for use as folding bellows or compensator
- high axial compressibility (3:1)
- flexible and kink-resistant
- robust design
- exterior resistant to friction: the clamping profile precludes the wearing through of the outer foil

##### Temperature

-60 °C to +700 °C continuous

##### Design

- special impregnated ceramic tissue fabric, stainless steel-strengthened, exterior with clamping profile in stainless steel

##### Couplings

as chosen or to assemble straight on a pipe

##### Assembly method

worm screw clamps type SPIRALEX (see page 66-70)

**Data Table**

ERIKS art.no.	Int. diameter mm	Ext. diameter mm	Working pressure bar	Vacuum %	Bending radius mm	Weight kg/m	Roll length m
11194563	50	62		38	56	0,76	6
11194564	55	67		35	60	0,82	6
11194565	60	72		32	65	0,89	6
11194566	65	77		29	69	0,96	6
11194567	70	82		26	74	1,03	6
11194568	75	87		23	78	1,09	6
11194569	80	92		20	83	1,16	6
11194570	90	102		14	92	1,30	6
11194571	100	112		12	101	1,03	6
11194572	110	122		10	110	1,13	6
11194573	120	132		9	119	1,22	6
11194574	125	137		8,5	123	1,27	6
11194575	130	142		7,5	128	1,32	6
11194576	140	152		6	137	1,41	6
11194577	150	162		5	146	1,04	6
11194578	160	172		4,5	155	1,10	6
11194579	170	182		4,2	164	1,17	6
11194580	175	187		4	168	1,20	6
11194581	180	192		3,8	173	1,24	6
11194582	200	212		3	191	1,37	6
11194593	215	227		2,8	204	1,47	6
11194594	225	237		2,6	213	1,54	6
11194595	250	262		2,3	236	1,70	6
11194596	275	287		1,9	258	1,87	6
11194597	300	312		1,5	281	2,03	6
11194598	350	362		1,3	326	2,37	6
11194599	400	412		1	371	2,70	6
11194600	450	462		0,8	416	3,03	6
11194601	500	512		0,6	461	3,36	6
11194602	600	612		0,4	551	4,03	6
11194613	700	712		0,2	641	4,69	6
11194614	800	812		0,2	731	5,36	6
11194615	900	912		0,1	821	6,02	6
11194616	1.000	1.012		0,1	911	6,69	6



#### RX® CP HiTex 483

##### Application

- CP ducting hose for hot air, smoke and waste gases, vapours, etc. where extremely high temperatures occur
- hot air blower hose for the preheating and de-icing of engines and aircraft
- also for use as folding bellows or compensator

##### Temperature

-60 °C to +900 °C continuous

##### Design

- inside wall specially impregnated ceramic tissue fabric, stainless steel wire strengthened
- intermediate layer of ceramic insulation

- outside wall specially impregnated ceramic tissue fabric with a clamping profile in stainless steel
- axially compressible
- flexible and kink-resistant
- robust design
- exterior resistant to friction: the clamping profile precludes the wearing through of the outer foil

##### Couplings

as chosen or to assemble straight on a pipe

##### Assembly method

worm screw clamps type SPIRALEX (see page 66-70)

**Data Table**

ERIKS art.no.	Int. diameter	Ext. diameter	Working pressure	Vacuum	Bending radius	Weight	Roll length
	mm	mm	bar	%	mm	kg/m	m
11194617	100	114	0,130	18	114	2,45	6
11194618	110	124	0,120	16	124	2,68	6
11194619	120	134	0,115	14	134	2,91	6
11194620	125	139	0,110	12	139	3,02	6
11194621	130	144	0,105	11	144	3,14	6
11194622	140	154	0,100	9,5	154	3,37	6
11194653	150	164	0,070	7,5	164	2,88	6
11194654	160	174	0,065	7	174	3,07	6
11194655	170	184	0,065	6,5	184	3,25	6
11194656	175	189	0,065	6	189	3,34	6
11194657	180	194	0,060	5,7	194	3,43	6
11194658	200	214	0,060	4,5	214	3,80	6
11194659	215	229	0,055	4,2	229	4,07	6
11194660	225	239	0,055	3,9	239	4,26	6
11194661	250	264	0,040	3,5	264	4,72	6
11194662	275	289	0,038	2,9	289	5,18	6
11194673	300	314	0,035	2,3	314	5,63	6
11194674	350	364	0,026	2	364	6,55	6
11194675	400	414	0,024	1,6	414	7,47	6
11194676	450	464	0,021	1,2	464	8,39	6
11194677	500	514	0,020	0,9	514	9,30	on request
11194678	600	614	0,014	0,6	614	11,14	on request
11194680	700	714	0,011	0,3	714	12,97	on request
11194681	800	814	0,010	0,3	814	14,82	on request
11194682	900	914	0,009	0,2	914	16,67	on request
11194694	1.000	1.014	0,008	0,1	1.014	18,52	on request





#### RX® POLYFLEX

##### Application

- flexible pipe for pneumatic lubrication, air or carbon dioxide line in equipment construction
- oil- and petrol-resistant

##### Temperature

-60 °C to +100 °C

##### Design

polyamide (Nylon), PA12

##### Couplings

rectupush insert couplings  
(see page 60-65)

**Data Table**

ERIKS art.no.	Int. diameter	Ext. diameter	Colour	Working pressure	Bending radius	Roll length
	mm	mm		bar	mm	m
10014841	2	4	White	44	20	100
10069598	2	4	Red	44	20	100
10069597	2	4	Green	44	20	100
10069596	2	4	Yellow	44	20	100
10069595	2	4	Blue	44	20	100
10069604	3	5	Black	33	25	100
10014842	3	5	White	33	25	100
10069603	3	5	Red	33	25	100
10069602	3	5	Green	33	25	100
10069601	3	5	Yellow	33	25	100
10069600	3	5	Blue	33	40	100
10014853	4	6	Black	26	30	100
10014843	4	6	White	26	30	100
10069608	4	6	Red	26	30	100
10069607	4	6	Green	26	30	100
10069606	4	6	Yellow	26	30	100
10069605	4	6	Blue	26	30	100
10014854	6	8	Black	19	50	100
10014844	6	8	White	19	50	100
10069612	6	8	Red	19	50	100
10069611	6	8	Green	19	50	100
10069610	6	8	Yellow	19	50	100
10014846	6	8	Blue	19	50	100
10014855	8	10	Black	14	60	50
10014845	8	10	White	14	60	50
10014851	8	10	White	14	60	50
10069615	8	10	Red	14	60	50
10069614	8	10	Green	14	60	50
10069613	8	10	Yellow	14	60	50
10014847	8	10	Blue	14	60	50
10015732	10	12	Black	12	70	50
10014852	10	12	White	12	70	50
10069618	10	12	Red	12	70	50
10069617	10	12	Green	12	70	50
10069616	10	12	Yellow	12	70	50
10014848	10	12	Blue	12	70	50
10015730	11	14	White	16	80	50

Technical information at 20°C



#### RX® POLYTUBE

##### Application

- pneumatic, flexible pipe for use in the chemical and pneumatic industry and in laboratories
- supply pipe in drinks vending machines

##### Temperature

-40 °C to +60 °C

##### Design

polyethylene (LDPE)

##### Couplings

rectupush insert couplings (see page 60-65)

**Data Table**

ERIKS art.no.	Int. diameter	Ext. diameter	Colour	Working pressure	Bending radius	Roll length
	mm	mm		bar	mm	m
11030705	2	4	Black	21	20	100
11025740	2	4	White	21	20	100
10015777	4	6	Black	12	30	100
10014919	4	6	White	12	30	100
10069632	4	6	Red	12	30	100
10069631	4	6	Yellow	12	30	100
10014915	4	6	Blue	12	30	100
10015778	6	8	Black	9	40	100
10014920	6	8	White	9	40	100
10069635	6	8	Red	9	40	100
10069634	6	8	Green	9	40	100
10069633	6	8	Yellow	9	40	100
10014916	6	8	Blue	9	40	100
10015776	8	10	Black	7	60	50
10014921	8	10	White	7	60	50
10069638	8	10	Red	7	60	50
10069637	8	10	Green	7	60	50
10069636	8	10	Yellow	7	60	50
10014917	8	10	Blue	7	60	50
10069643	9	12	Black	9	70	50
10014923	9	12	White	9	70	100
10069642	9	12	Red	9	70	50
10069641	9	12	Green	9	70	50
10069640	9	12	Yellow	9	70	50
10069639	9	12	Blue	9	70	50
10014918	10	12	Black	5	85	50
10014924	10	12	White	5	85	50
10069646	10	12	Green	5	85	50
10069645	10	12	Yellow	5	85	50
10069644	10	12	Blue	5	85	50

Technical information at 20°C





#### RX® POLYPUR

##### Application

- non-kinking and wear-resistant flexible pipe for pneumatic lubrication, air or carbon dioxide line in equipment construction
- oil- and petrol-resistant

##### Temperature

-40 °C to +70 °C

##### Design

polyurethane, blue

##### Couplings

rectupush insert couplings (see page 60-65)

**Data Table**

ERIKS art.no.	Int. diameter	Ext. diameter	Working pressure	Bending radius	Roll length
	mm	mm	bar	mm	m
10014876	4	6	10	20	100
10014877	6	8	7	35	100
11027204	8	10	5	55	50

Technical information at 20°C



#### RX® POLYSTOR

##### Application

- coiled hose for pneumatic, lubrication or compressed air hose
- oil- and petrol-resistant

##### Temperature

-40 °C to +70 °C

##### Design

polyamide (Nylon), PA12, blue

##### Couplings

rectupush insert couplings (see page 60-65)

**Data Table**

ERIKS art.no.	Int. diameter	Ext. diameter	Working pressure	Max. working length
	mm	mm	bar	m
10014483	6	8	19	8
10014481	8	10	14	5,2
10014482	9	12	12	4

Technical information at 20°C



#### RX® RECTULASTIC

##### Application

coiled hose for pneumatic lubrication or compressed air hose for belt and assembly work, robots, laboratories, pneumatic tools, etc.

##### Temperature

-40 °C to +85 °C

##### Design

- polyurethane, blue
- kink-resistant and wear-resistant
- oil- and petrol-resistant

##### Couplings

swivelling male thread nipple on both sides, with plastic anti-kink sleeve

**Data Table**

ERIKS art.no.	Internal diameter	External diameter	Thread	Working pressure	Max. Working length
	mm	mm		bar	m
11015934	5	8	G1/4"	10	3
11194190	5	8	G1/4"	10	6
11194191	5	8	G1/4"	10	7,5
11032436	6,3	9,5	G1/4"	10	3
10014478	6,3	9,5	G1/4"	10	6
10014479	6,3	9,5	G1/4"	10	7,5
10014480	8	12	G3/8"	8	3
11194192	8	12	G3/8"	8	6
10014477	8	12	G3/8"	8	7,5
11071082	9,5	15,5	G3/8"	8	3
11194293	9,5	15,5	G3/8"	8	6
11194294	9,5	15,5	G3/8"	8	7,5
11136184	12	19	R1/2"	8	6
11194295	12	19	R1/2"	8	7,5

Technical information at 20°C

### RECTUPUSH insert couplings

#### Optimal passage

The pipe is clamped tight on the outside to ensure no narrowing of the inside diameter.

#### Immediately useable

Thanks to the large variety of connection possibilities.

#### Fast assembly and disassembly

- no tools required
- direct connection
- assembly and disassembly in poorly accessible places also possible

#### Suitable for

PA and PU hoses

#### Diameter range

external diameter 4 to 14

#### Material couplings

brass and plastic

#### Maximum working pressure

PU hose: 9 bar

PA hose: 18 bar

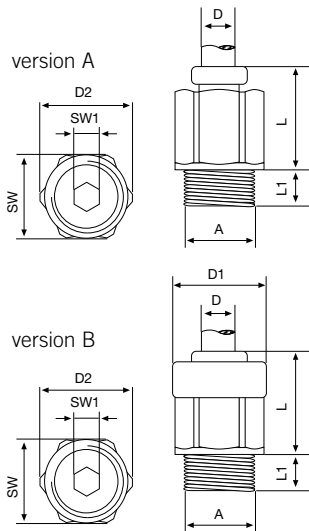
#### Temperature range

PU hose: from -10 °C to +35 °C

PA hose: from -10 °C to +52 °C



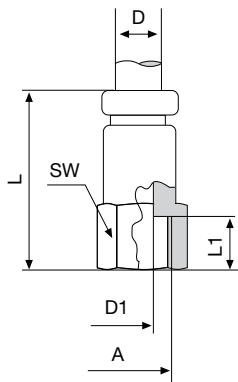
#### RECTUPUSH insert couplings



#### Straight screw-in coupling

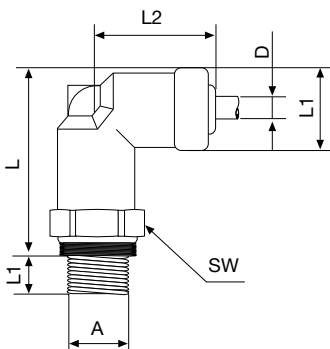
ERIKS art.no.	Conn.	Order ref.	SW	L	D	L1	L2	L3	SW1	B	D1	D2	Vers.
10038083	M5	RP 01-05/04	10	18,5	4	3,5			2,5			11	A
10038084	1/8	RP 01-10/04	13	17	4	5			3			14	A
10038085	1/4	RP 01-13/04	17	12	4	7			3			18,5	A
10038086	M5	RP 01-05/06	11	20	6	3,5			2,5			12	A
10038087	1/8	RP 01-10/06	13	20,5	6	5			4		16	14	B
10038088	1/4	RP 01-13/06	17	17	6	7			4		20,5	18,5	B
10038089	1/8	RP 01-10/08	13	21,5	8	5			5		16	14	B
10038090	1/4	RP 01-13/08	17	21,5	8	7			6		20,5	18,5	B
10038091	3/8	RP 01-17/08	19	18	8	8			6			21	A
10038092	1/4	RP 01-13/10	17	26,5	10	7			7			18,5	A
10038093	3/8	RP 01-17/10	19	24	10	8			8		23,5	21	B
10070231	1/4	RP 01-13/12	19	27,5	12	7			7			21	
10070232	3/8	RP 01-17/12	19	27	12	8			9			21	
10070233	1/2	RP 01-21/12	24	25	12	9,5			10			26	
10070234	3/8	RP 01-17/14	22	30	14	8			9			24	
10070235	1/2	RP 01-21/14	24	26,5	14	9,5			11			26	

#### Straight screw-on coupling



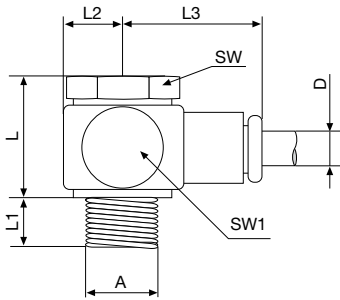
ERIKS art.no.	Conn.	Order ref.	SW	L	D	L1	L2	L3	SW1	B	D1	D2	Vers.
10038094	1/8	RP 14-10/04	13	27	4	8,5	11,5				3,3		
10038095	1/4	RP 14-13/04	17	31	4	11,5	15,5				3,3		
10038096	1/8	RP 14-10/06	13	29	6	8,5	10,5				4		
10038097	1/4	RP 14-13/06	17	33	6	11,5	15,5				4		
10038098	1/8	RP 14-10/08	13	29	8	8,5	10,5				6		
10038099	1/4	RP 14-13/08	17	33	8	11,5	15,5				6		
10070236	3/8	RP 14-17/12	19	40,5	12	14							
10070237	1/2	RP 14-21/12	24	45	12	18,5							

#### Knee screw-in coupling - turnable



ERIKS art.no.	Conn.	Order ref.	SW	L	D	L1	L2	L3	SW1	B	D1	D2	Vers.
10038100	M5	RP 99-05/04	10	18	4	3,5					11		
10038101	1/8	RP 99-10/04	14	18	4	5					11		
10038102	1/4	RP 99-13/04	19	18	4	7					11		
10038103	1/8	RP 99-10/06	14	20,5	6	5					13,5		
10038104	1/4	RP 99-13/06	19	20,5	6	7					13,5		
10038105	1/8	RP 99-10/08	14	22,5	8	5					16		
10038106	1/4	RP 99-13/08	19	22,5	8	7					16		
10038107	3/8	RP 99-17/08	22	22,5	8	8					16		
10038108	1/4	RP 99-13/10	19	28,5	10	7					21		
10038109	3/8	RP 99-17/10	22	28,5	10	8					21		
10070238	1/4	RP 99-13/12	22	30	12	7					23,5		
10070239	3/8	RP 99-17/12	22	30	12	8					23,5		
10070240	3/8	RP 99-17/14	24	33,5	14	8					25,5		
10070241	1/2	RP 99-21/14	27	33,5	14	9,5					25,5		

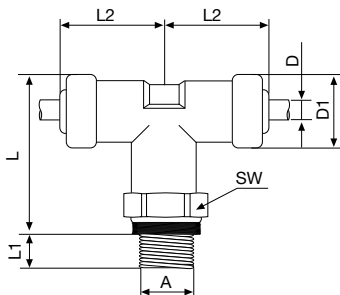
#### RECTUPUSH insert couplings



#### L-piece banjo coupling

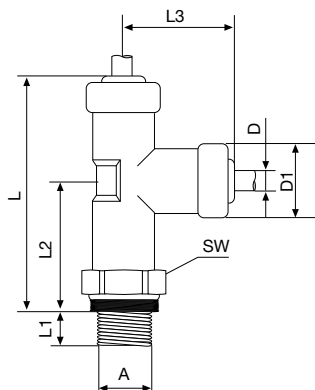
ERIKS art.no.	Conn.	Order ref	SW	L	D	L1	L2	L3	SW1	B	D1	D2	Vers.
10070207	M5	RP 18-05/04	8	15,5	4	3,5	5	18	10				
10070208	1/8	RP 18-10/04	14	22,5	4	5	10	22	16				
10070209	1/8	RP 18-10/06	14	22,5	6	5	9	23,5	16				
10070210	1/4	RP 18-13/06	17	22	6	7	10,5	25	20				
10070211	1/8	RP 18-10/08	14	22,5	8	5	8	24	16				
10070212	1/4	RP 18-13/08	17	22	8	7	10	31,5	20				
10070213	3/8	RP 18-17/08	22	24	8	8	12,5	27	25				
10070214	1/4	RP 18-13/10	22	24	10	7	12,5	39	25				
10070215	3/8	RP 18-17/10	22	24	10	8	12,5	39	25				
10070242	1/4	RP 18-13/12	22	24	12	7	12,5	43,5	25				
10070243	3/8	RP 18-17/12	22	24	12	8	12,5	43,5	25				

#### T-screw-in coupling



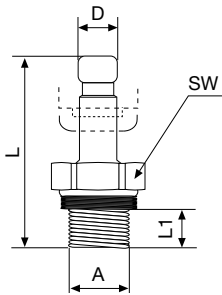
ERIKS art.no.	Conn.	Order ref.	SW	L	D	L1	L2	L3	SW1	B	D1	D2	Vers.
10038110	1/8	RP 98-10/04	14	28	4	5	18				11		
10038111	1/8	RP 98-10/06	14	32,5	6	5	20,5				13,5		
10038112	1/4	RP 98-13/06	19	33	6	7	20,5				13,5		
10038113	1/8	RP 98-10/08	14	35	8	5	22,5				16		
10038114	1/4	RP 98-13/08	19	35,5	8	7	22,5				16		
10038115	1/4	RP 98-13/10	19	44,5	10	7	28,5				21		
10070248	1/4	RP 98-13/12	22	48	12	7	30				23,5		
10070249	3/8	RP 98-17/12	22	48,5	12	8	30				23,5		
10070250	3/8	RP 98-17/14	24	53	14	8	32,5				25,5		
10070251	1/2	RP 98-21/14	27	54	14	9,5	32,5				25,5		

#### L-screw-in coupling



ERIKS art.no.	Conn.	Order ref.	SW	L	D	L1	L2	L3	SW1	B	D1	D2	Vers.
10070216	1/8	RP 93-10/04	14	40,5	4	5	22,5	18			11		
10070217	1/8	RP 93-10/06	14	46	6	5	25,5	20,5			13,5		
10070218	1/4	RP 93-13/06	19	46,5	6	7	26	20,5			13,5		
10070219	1/8	RP 93-10/08	14	49,5	8	5	27	22,5			16		
10070220	1/4	RP 93-13/08	19	50	8	7	27,5	22,5			16		
10070221	1/4	RP 93-13/10	19	60,5	10	7	32	28,5			21		
10070244	1/4	RP 93-13/12	22	66	12	7	36	30			23,5		
10070245	3/8	RP 93-17/12	22	66,5	12	8	36,5	30			23,5		
10070246	3/8	RP 93-17/14	24	74	14	7	40,5	33,5			25,5		
10070247	1/2	RP 93-21/14	27	75	14	9,5	41,5	33,5			25,5		

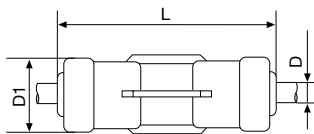
#### RECTUPUSH insert couplings



##### Straight screw-in connector

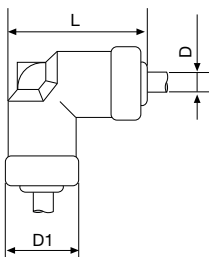
ERIKS art.no.	Conn.	Order ref.	SW	L	D	L1	L2	L3	SW1	B	D1	D2	Vers.
	M5	RP 31-05/04	8	26	4	3,5							
	1/8	RP 31-10/04	14	30,5	4	5							
	1/4	RP 31-13/04	19	34	4	7							
	1/8	RP 31-10/06	14	32,5	6	5							
	1/4	RP 31-13/06	19	32,5	6	7							
	1/8	RP 31-10/08	14	33,5	8	5							
	1/4	RP 31-13/08	19	36	8	7							
	3/8	RP 31-17/08	22	37,5	8	8							
	3/8	RP 31-17/12	22	43,5	12	8							
	1/2	RP 31-21/12	27	47	12	9,5							
	1/2	RP 31-21/14	27	49	14	9,5							

##### Straight insert coupling



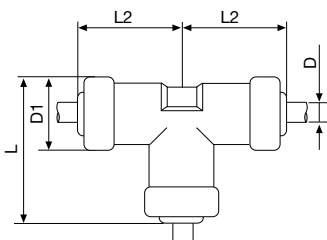
ERIKS art.no.	Conn.	Order ref.	SW	L	D	L1	L2	L3	SW1	B	D1	D2	Vers.
10038116		RP 06-04		36	4						11		
10038117		RP 06-06		41	6						13,5		
10038118		RP 06-08		45	8						16		
10038119		RP 06-10		47	10						21		
10070252		RP 06-12		48	12						23,5		
10070253		RP 06-14		53	14						25,5		

##### Knee insert coupling



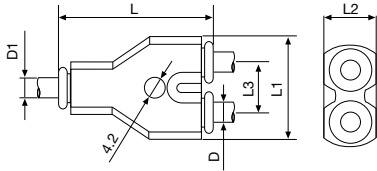
ERIKS art.no.	Conn.	Order ref.	SW	L	D	L1	L2	L3	SW1	B	D1	D2	Vers.
10038120		RP 02-04		23,5	4						11		
10038121		RP 02-06		27,5	6						13,5		
10038122		RP 02-08		30,5	8						16		
10038123		RP 02-10		39	10						21		
10070254		RP 02-12		42	12						23,5		
10070255		RP 02-14		46,5	14						25,5		

##### T-piece insert coupling



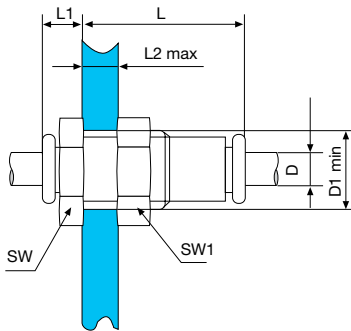
ERIKS art.no.	Conn.	Order ref.	SW	L	D	L1	L2	L3	SW1	B	D1	D2	Vers.
10038124		RP 04-04		23,5	4		18				11		
10038125		RP 04-06		27,5	6		20,5				13,5		
10038126		RP 04-08		30,5	8		22,5				16		
10038127		RP 04-10		39	10		28,5				21		
10070256		RP 04-12		42	12		30				23,5		
10070257		RP 04-14		46,5	14		33,5				25		

#### RECTUPUSH insert couplings



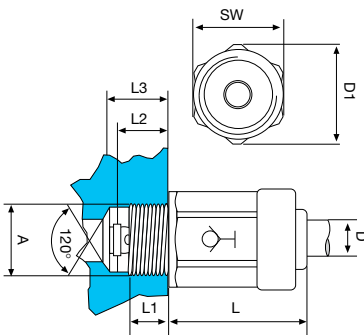
#### Y-piece insert coupling

ERIKS art.no.	Conn.	Order ref.	SW	L	D	L1	L2	L3	SW1	B	D1	D2	Vers.
10070222		RP 40-04/04		33	4	22	11	11			4		
10070223		RP 40-04/06		44	4	28	13	14			6		
10070224		RP 40-06/06		40,5	6	28	13	14			6		
10070225		RP 40-08/08		44,5	8	32	15	16			8		



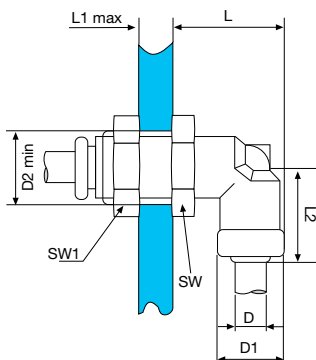
#### Straight bulkhead coupling

ERIKS art.no.	Conn.	Order ref.	SW	L	D	L1	L2	L3	SW1	B	D1	D2	Vers.
10038128		RP 16-04	14	24,2	4	5,5	6,5		14		12,5		
10038129		RP 16-06	17	29	6	5,5	7		17		14,5		
10038130		RP 16-08	19	29	8	6,5	7		19		16,5		
10038131		RP 16-10	24	39	10	7	12		24		22,5		
10070258		RP 16-12	27	41	12	7	13		27		24,5		
10070259		RP 16-14	30	44	14	8	15		30		26,5		



#### Straight screw-in coupling - with valve

ERIKS art.no.	Conn.	Order ref.	SW	L	D	L1	L2	L3	SW1	B	D1	D2	Vers.
	1/8	RA 01-10/04	13	22	4	5	6	7,5			14		
	1/8	RA 01-10/06	13	24	6	5	6	9			16		
	1/4	RA 01-13/08	17	26	8	7	8	11			20		
	3/8	RA 01-17/10	19	31	10	8	11	13			21		

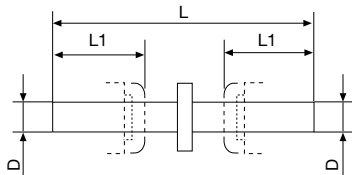


#### Knee bulkhead coupling

ERIKS art.no.	Conn.	Order ref.	SW	L	D	L1	L2	L3	SW1	B	D1	D2	Vers.
10070227		RP 39-04	14	23,5	4	6,5	18		14		11	12,5	
10070228		RP 39-06	17	26,5	6	7	20,5		17		13,5	14,5	
10070229		RP 39-08	19	30,5	8	7	22,5		19		16	16,5	
10070230		RP 39-10	24	38,5	10	10	28,5		24		21	22,5	
10070260		RP 39-12	27	44,5	12	12	30		27		23,5	24,5	
10070261		RP 39-14	30	47	14	15	33,5		30		25,5	26,5	

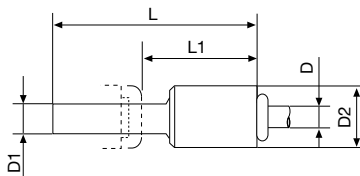


#### RECTUPUSH insert couplings



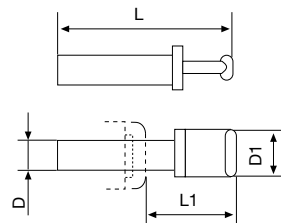
#### Double male connector

ERIKS art.no.	Conn.	Order ref.	SW	L	D	L1	L2	L3	SW1	B	D1	D2	Vers.
		RP 20-04		44,5	4	14,5							
		RP 20-06		47	6	16,5							
		RP 20-08		48	8	17							
		RP 20-10		58	10	22							
		RP 20-12		61	12	23							
		RP 20-14		65	14	25							



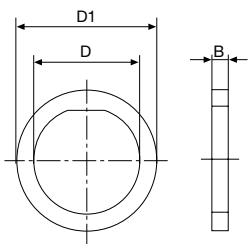
#### Reducer fitting

ERIKS art.no.	Conn.	Order ref.	SW	L	D	L1	L2	L3	SW1	B	D1	D2	Vers.
10038132		RP 66-04/06		39	4	22,5					6	12	
10038133		RP 66-04/08		38,5	4	21,5					8	12	
10038134		RP 66-04/10		44	4	22,5					10	12	
10038135		RP 66-06/08		41,5	6	24,5					8	14,5	
10038136		RP 66-06/10		44	6	22,5					10	14,5	
10038137		RP 66-08/10		47,5	8	26					10	17	
10070262		RP 66-10/12		56,5	10	33,5					10	21,5	
10070263		RP 66-12/14		58,5	12	33,5					12	23,5	



#### Stopper

ERIKS art.no.	Conn.	Order ref.	SW	L	D	L1	L2	L3	SW1	B	D1	D2	Vers.
10038138		RP 26-04		30	4	15,5					4		
10038139		RP 26-06		33	6	16,5					8		
10038140		RP 26-08		35	8	17,5					10		
10038141		RP 26-10		42	10	21					12		
10070264		RP 26-12		45	12	22					14		
10070265		RP 26-14		49	14	23,5					16		



#### PVC seal, colour black

ERIKS art.no.	Conn.	Order ref.	SW	L	D	L1	L2	L3	SW1	B	D1	D2	Vers.
	M5	UD 05M											
	G1/8	UD 10											
	G1/4	UD 13											
	G3/8	UD 17											
	G1/2	UD 21											
	G3/4	UD 26											
	G1	UD 33											
	G1 1/4	UD 42											



#### RX® SPIRALEX

##### Design

- special worm screw clamp for coiled hoses type Vacufixx, Abraflex and CP (with the exception of hose types Abraflex-HD and Abraflex-SHD)
- worm screw clamp with integrated “coiled bridge”, so complete sealing of the whole circumference of the hose is guaranteed
- this guarantees the certain and tight connection of the hose to the connecting piece
- simple to assemble
- according to DIN 3017

##### Material

- band chrome steel
- coiled bridge stainless steel
- screw galvanised steel

**Data Table**

ERIKS art.no.	Front internal hose diameter	Band width
	mm	mm
11192427	20	9
11192428	25	9
11192429	30 - 35	9
10016320	38 - 45	9
10016321	50 - 55	9
11192430	60 - 65	9
10016322	70 - 75	9
11192431	80	9
10016323	90	9
10016324	100 - 102	9
11171672	110 - 115	9
10016325	120 - 127	9
11192534	130	9
11192432	140	9
10016326	150 - 152	9
11192493	160	9
11192494	170 - 175	9
10016327	180	9
10016328	200	12
11192496	215	12
11142835	225	12
11142836	250	12
11192497	275	12
11142837	300	12
11192498	315 - 325	12
11192499	350	12
11192500	380	12
11192501	400	12
11192502	450	12
11192533	500	12

Larger sizes for hoses to diameter 1,000 mm, available on request.



#### RX® SPIRALEX-HD

##### Design

- special wire clamp for coiled hoses type Abraflex-HD and Abraflex-SHD
- wire clamp so full sealing around the whole circumference of the hose is guaranteed
- this guarantees the certain and tight connection of the hose to the connecting piece
- simple to assemble
- according to DIN 3017

##### Material

- wire clip chrome steel
- screw galvanised steel

**Data Table**

ERIKS art.no.	Front internal hose diameter
	mm
11192535	50
11192567	55
11192569	60
11192570	65
11192571	70
11192572	75
11192573	80
11192574	90
11192575	100
11192576	110
11192577	115
11192578	120
11192579	125
11192580	130
11192581	140
11192582	150
11192583	160
11192584	180
11192585	200
11192586	225
11192587	250
11192588	300
11192589	400

Larger sizes for hoses to diameter 1,000 mm, available on request.



#### RX® SPIRALEX-FST

##### Design

- special worm screw clamp for coiled hoses type Vacufixx, Abraflex and CP (with the exception of the hose types Abraflex-HD and Abraflex- SHD)
- with quick-fastening system for the fast connection and/or disconnection of hoses
- worm screw clamp with integrated “coiled bridge”, so complete sealing of the whole circumference of the hose is guaranteed
- this guarantees the certain and tight connection of the hose to the connecting piece
- simple to assemble
- according to DIN 3017

##### Material

- band stainless steel
- coiled bridge stainless steel
- screw stainless steel

**Data Table**

ERIKS art.no.	Front internal hose diameter mm	Band width mm
11193913	60 - 65	9
11193914	70-75	9
11193915	80	9
11193916	90	9
11193917	100	9
11193918	110-115	9
11193919	120-125	9
11193920	130	9
11193921	140	9
11193922	150	9
11193923	160	9
11193924	175	9
11193925	180	9
11193926	200	9

Larger sizes for hoses to diameter 1,000 mm, available on request.



#### RX® SPIRALEX-OHS

##### Design

- special worm screw clamp for coiled hoses type Vacufixx, Abraflex and CP (with the exception of the hose types Abraflex-HD and Abraflex-SHD)
- with suspension eye to guide hoses in a safe and suitable way
- worm screw clamp with integrated “coiled bridge”, so complete sealing of the whole circumference of the hose is guaranteed
- this guarantees the certain and tight connection of the hose to the connecting piece
- simple to assemble
- according to DIN 3017

##### Material

- band chrome steel
- coiled bridge stainless steel
- screw galvanised steel
- suspension eye galvanised steel

**Data Table**

ERIKS art.no.	Front internal hose diameter	Band width
	mm	mm
11195259	50 - 55	9
11195261	60 - 65	9
11195273	70 - 75	9
11195274	80	9
11195276	90	9
11195277	100 - 102	9
11195278	110 - 115	9
11195279	120 - 127	9
11195280	130	9
11195281	140	9
11195282	150 - 152	9
11195283	160	9
11195284	170 - 175	9
11195286	180	9
11195287	190	9
11195288	200	12
11195289	215	12
11195290	225	12
11195291	250	12
11195292	275	12
11195293	280	12
11195294	300	12
11195296	315 - 325	12
11195297	350	12
11195298	380	12
11195299	400	12
11195300	450	12
11195301	500	12

Larger sizes for hoses to diameter 1,000 mm, available on request.

#### RX® SPIRALEX-TER



##### Design

- special worm screw clamp for coiled hoses type Vacufixx, Abraflex and CP (with the exception of the hose types Abraflex-HD and Abraflex-SHD)
- specially designed to prevent electrical charging in a certain and professional way without releasing the coil; no risk of damaging the hose!
- supplied with earthing screw on the coiled bridge; an earth cable can optionally be supplied
- worm screw clamp with integrated “coiled bridge”, so complete sealing of the whole circumference of the hose is guaranteed

- this guarantees the certain and tight connection of the hose to the connecting piece
- simple to assemble
- according to DIN 3017

##### Material

- band chrome steel
- coiled bridge stainless steel
- screw galvanised steel
- earthing screw stainless steel

**Data Table**

ERIKS art.no.	Front internal hose diameter	Band width
	mm	mm
11195181	38 – 45	9
11195196	50 – 55	9
11195197	60 – 65	9
11195199	70 – 75	9
11195200	80	9
11195201	90	9
11195202	100 – 102	9
11195223	110 – 115	9
11195224	120 – 127	9
11195225	130	9
11195226	140	9
11195227	150 – 152	9
11195229	160	9
11195230	170 – 175	9
11195231	180	9
11195232	190	9
11195244	200	12
11195245	215	12
11195247	225	12
11195248	250	12
11195249	275	12
11195250	280	12
11195251	300	12
11195252	315 – 325	12
11195253	350	12
11195255	380	312
11195256	400	312
11195257	450	12
11195258	500	12

Larger sizes for hoses to diameter 1,000 mm, available on request.



#### RX® ABA-S

##### Design

worm screw clamp made of Swedish steel with high breaking strength; patented worm housing of seamless drawn tube, turned band edges, special rectangular thread, hexagonal bolt head 7 mm with slit, blue housing

##### Material

- band galvanised steel
- housing galvanised steel (blue)
- screw galvanised steel

**Data Table**

ERIKS art.no.	Clamping range	Band width
	mm	mm
10016234	8 - 14	9
10016235	11 - 17	9
10016236	13 - 20	9
10016237	15 - 24	12
10016238	19 - 28	12
10016239	22 - 32	12
10016240	26 - 38	12
10016241	32 - 44	12
10016242	38 - 50	12
10016243	44 - 56	12
10016244	50 - 65	12
10016245	58 - 75	12
10016246	68 - 85	12
10016247	77 - 95	12
10016248	87 - 112	12
10016249	104 - 138	12
10016250	130 - 165	12
10016251	150 - 180	12
10016252	175 - 205	12
10016253	200 - 231	12
10016254	226 - 256	12
10016255	251 - 282	12
10016256	277 - 307	12
10016346	305 - 335	12
10016347	330 - 360	12
10016348	355 - 385	12
10016349	380 - 410	12



#### RX® ABA-R

##### Design

worm screw clamp made of stainless steel AISI 304; patented worm housing of seamless drawn tube, turned band edges, special rectangular thread, hexagonal bolt head 7 mm with slit, blue housing

##### Material

- band stainless steel AISI 304
- housing stainless steel AISI 304
- screw stainless steel AISI 304

**Data Table**

ERIKS art.no.	Clamping range	Band width
	mm	mm
10016208	8 - 14	9
10016209	11 - 17	9
10016210	13 - 20	9
10016211	15 - 24	12
10016212	19 - 28	12
10016213	22 - 32	12
10016214	26 - 38	12
10016215	32 - 44	12
10016216	38 - 50	12
10016217	44 - 56	12
10016218	50 - 65	12
10016233	58 - 75	12
10016219	68 - 85	12
10016220	77 - 95	12
10016221	87 - 112	12
10016222	104 - 138	12
10016223	130 - 165	12
10016224	150 - 180	12
10016225	175 - 205	12
10016226	200 - 231	12
10016227	226 - 256	12
10016228	251 - 282	12
10016229	277 - 307	12





#### RX® ABA-Z

##### Design

worm screw clamp fully made of acid-resistant stainless steel AISI 316, patented worm housing of seamless drawn pipe, turned band edges, special rectangular thread, hexagonal bolt head 7 mm with slit

##### Material

- band stainless steel AISI 316
- housing stainless steel AISI 316
- screw stainless steel AISI 316

**Data Table**

ERIKS art.no.	Clamping range	Band width
	mm	mm
10016350	8 - 14	9
10016351	13 - 20	9
10016344	15 - 24	12
10016230	19 - 28	12
10016231	22 - 32	12
10016232	26 - 38	12
10016345	32 - 44	12
10016329	38 - 50	12
10016330	44 - 56	12
10016343	50 - 65	12
10016331	58 - 75	12
10016332	68 - 85	12
10016333	77 - 95	12
10016334	87 - 112	12
10016335	104 - 138	12
10016336	130 - 165	12
10016337	150 - 180	12
10016338	175 - 205	12
10016339	200 - 231	12
10016340	226 - 256	12
10016341	251 - 282	12
10016342	277 - 307	12



#### RX® MINI-ABA

##### Design

- hose clip particularly suitable for small and thin-walled hoses
- band in one piece without welding points with as a result even tension, bent over band edge, bolt and nut with hexagonal 7 mm and slit

##### Material

- band galvanised steel
- screw galvanised steel

**Data Table**

ERIKS art.no.	Clamping range mm	Band width mm
10016198	6 - 8	9
10016199	7 - 9	9
10016200	8 - 10	9
10016201	9 - 11	9
10016202	10 - 12	9
10016203	11 - 13	9
10016204	12 - 14	9
10016205	13 - 15	9
10016206	14 - 16	9
10016207	15 - 17	9

On request also available in stainless steel AISI 304.



#### RX® TORRO SS/ST

##### Design

worm screw clamp with raised band edges, made of stainless steel 430 resistant to tensile strain, worm housing and hexagonal bolt head 7 mm with slit, of galvanised steel

##### Material

- band stainless steel AISI 430
- housing galvanised steel
- screw galvanised steel

**Data Table**

ERIKS art.no.	Clamping range mm	Band width mm
10016259	8 - 16	9
10016260	12 - 20	9
10016261	16 - 25	12
10016262	20 - 32	12
10016263	25 - 40	12
10016264	32 - 50	12
10016265	40 - 60	12
10016266	50 - 70	12
10016267	60 - 80	12
10016268	70 - 90	12
10016269	80 - 100	12
10016270	90 - 110	12
10016271	100 - 120	12
10016272	110 - 130	12
10016273	120 - 140	12
10016274	130 - 150	12
10016275	140 - 160	12
10016276	150 - 170	12
10016277	160 - 180	12
10016278	170 - 190	12



#### RX® TORRO SS

##### Design

worm screw clamp with raised band edges, made of stainless steel 304 resistant to tensile strain, worm housing and hexagonal bolt head 7 mm with slit, of galvanised steel

##### Material

- band stainless steel AISI 304
- housing stainless steel AISI 304
- screw stainless steel AISI 304

**Data Table**

ERIKS art.no.	Clamping range	Band width
	mm	mm
10016279	8 - 16	9
10016280	12 - 20	9
10016281	16 - 25	12
10016282	20 - 32	12
10016283	25 - 40	12
10016284	32 - 50	12
10016285	40 - 60	12
10016286	50 - 70	12
10016287	60 - 80	12
10016288	70 - 90	12
10016289	80 - 100	12
10016290	90 - 110	12
10016291	100 - 120	12
10016292	110 - 130	12
10016293	120 - 140	12
10016294	130 - 150	12
10016295	140 - 160	12
10016296	150 - 170	12
10016297	160 - 180	12
10016298	170 - 190	12



#### RX® POWER CLAMP ST

##### Design

- solid hose clip with a double band
- the clamping force is achieved by a double bolt connection
- robust design, suitable for all kinds of hoses, with or without coil

##### Material

fully galvanized and chromated steel

**Data Table**

ERIKS art.no.	Clamping range mm	Band width mm
11184651	30 - 40	20
11184663	40 - 50	20
11184664	50 - 60	20
11184682	60 - 70	25
11184683	70 - 80	25
11184684	80 - 90	25
11184685	90 - 100	25
11184686	100 - 110	25
11184687	110 - 120	25
11184688	120 - 130	25
11184689	130 - 140	25
11184690	140 - 150	25
11184691	150 - 165	25
11184692	160 - 175	25
11184703	170 - 185	25
11184704	180 - 195	25
11184705	190 - 205	25
11184706	200 - 215	25
11184707	210 - 225	25
11184708	220 - 235	25
11184709	230 - 245	25
11184710	240 - 255	25
11184711	250 - 265	25
11184712	260 - 275	25
11184723	270 - 285	25
11184724	280 - 295	25
11184725	290 - 305	25
11184726	300 - 315	25
11184727	310 - 325	25
11184728	320 - 335	25
11184729	330 - 345	25
11184730	340 - 355	25
11184731	350 - 365	25
11184732	360 - 375	25



#### RX® POWER CLAMP SS

##### Design

- solid hose clip with a double band
- the clamping force is achieved by a double bolt connection
- robust design, suitable for all kinds of hoses, with or without coil

##### Material

fully stainless steel AISI 316

**Data Table**

ERIKS art.no.	Clamping range mm	Band width mm
11184734	40 - 50	25
11184735	50 - 60	25
11184736	60 - 70	25
11184737	70 - 80	25
11184738	80 - 90	25
11184739	90 - 100	25
11184740	100 - 110	25
11184741	110 - 120	25
11184742	120 - 130	25
11184743	130 - 140	25
11184744	140 - 150	25
11184745	150 - 160	25
11184746	160 - 170	25
11184747	170 - 180	25
11184748	180 - 190	25
11184749	190 - 200	25
11184750	200 - 210	25
11184751	210 - 220	25
11184752	220 - 230	25
11184753	230 - 245	25
11184754	240 - 255	25
11184755	250 - 265	25
11184756	260 - 275	25
11184757	270 - 285	25
11184758	280 - 295	25
11184759	290 - 305	25
11184760	300 - 315	25
11184761	310 - 325	25
11184762	320 - 335	25
11184763	330 - 345	25
11184764	345 - 355	25
11184765	350 - 365	25
11184766	360 - 375	25



#### RX® NORMA-ST

##### Design

- 2-part re-adjustable hose clip
- the clip tightens with the screwing of 2 bolts and nuts
- robust design, suitable for all kinds of hoses, with or without coil

##### Material

fully galvanized steel

**Data Table**

ERIKS art.no.	Clamping range mm	Band width mm
10015947	48 - 55	20
10015948	54 - 61	20
10015949	60 - 67	20
10015950	66 - 73	20
10015951	72 - 79	20
10015952	79 - 85	20
10015953	84 - 91	20
10015954	88 - 101	20
10015955	96 - 107	25
10015956	100 - 113	25
10015957	112 - 123	25
10015958	118 - 129	25
10015959	126 - 137	25
10015960	136 - 147	25
10015961	146 - 157	25
10015962	156 - 167	25
10015963	166 - 177	25
10015964	176 - 187	25
10015965	186 - 198	25
10015966	196 - 208	25
10015967	208 - 219	25
10015968	218 - 229	25
10015969	228 - 239	25
10015970	238 - 249	25
10015971	36 - 44	20
10015972	32 - 36	20
10015973	42 - 50	20
10016013	122 - 136	25
10016014	106 - 116	25
10016037	90 - 101	20
10016038	162 - 166	25



#### RX® NORMA-SS

##### Design

- 2-part re-adjustable hose clip.
- the clip tightens with the screwing of 2 bolts and nuts
- robust design, suitable for all kinds of hoses, with or without coil

##### Material

fully stainless steel AISI 316

**Data Table**

ERIKS art.no.	Clamping range mm	Band width mm
10016015	32 - 36	20
10016016	36 - 44	20
10016017	42 - 50	20
10016018	48 - 55	20
10016019	54 - 58	20
10016020	60 - 67	20
10016021	66 - 73	20
10016022	72 - 79	20
10016023	78 - 85	20
10016024	84 - 91	20
10016025	88 - 99	20
10016026	96 - 107	25
10016027	102 - 113	25
10016028	112 - 123	25
10016029	166 - 177	25
10016030	208 - 219	25
10016031	218 - 229	25
10016033	136 - 147	25
10016034	118 - 129	25
10016035	126 - 137	25
10016036	258 - 262	25
10016039	310 - 314	20





#### RX® EAR CLAMP

##### Design

- 2-ear clamp for hoses in small diameters
- simple assembly by the sealed pinching of both ears

##### Material

galvanised steel or stainless steel AISI 316

**Data Table**

ERIKS art.no.	Clamping range mm	Band width mm	Material
10016163	20 - 23	9	galvanised steel
10016164	17 - 20	8,5	galvanised steel
10016165	13 - 15	7,5	galvanised steel
10016166	11 - 13	7	galvanised steel
10016167	9 - 11	7	galvanised steel
10016168	7 - 9	7	galvanised steel
10016169	5 - 7	6	galvanised steel
10016170	15 - 17	8	galvanised steel
10016171	25 - 28	10	galvanised steel
10016172	22 - 25	10	galvanised steel
10016173	27 - 31	10	galvanised steel
10016174	23 - 27	10	galvanised steel
10016175	31 - 34	10	galvanised steel
11023266	40 - 43	10	galvanised steel
11040809	11 - 13	7	stainless steel AISI 316
11040890	13 - 15	7	stainless steel AISI 316
11040891	15 - 17	7	stainless steel AISI 316
11040892	17 - 20	7	stainless steel AISI 316
11040893	20 - 23	7	stainless steel AISI 316
11040894	23 - 27	7	stainless steel AISI 316
11040895	25 - 28	7	stainless steel AISI 316



#### RX® COUPLING SLEEVE PHD

##### Design

- special coupling sleeve for coiled hoses type Vacufixx and Abraflex (with the exception of hose types Abraflex-HD and Abraflex-SHD)
- optimal connection between hose and connection
- simple to assemble
- suitable for re-use

##### Material

- polyurethane, black
- on request also available in a conductive design ( $R < 10^4 \Omega$  .)

**Data Table**

ERIKS art.no.	For internal diameter hose	Recommended diameter connection	Recommended length connection	Total length coupling sleeve	Weight
	mm	mm	mm	mm	gr
11194028	38	38	44	85	74
11194029	40	40	44	85	73
11194083	50	50	49	90	73
11194084	60	60	49	90	121
11194085	70	70	52	96	150



#### RX® COUPLING FLANGE MJO

##### Design

- special coupling flange for coiled hoses type Vacufixx and Abraflex (with the exception of hose types Abraflex-HD and Abraflex- SHD)
- bolts, nuts and a self-adhesive drill template always supplied
- optimal connection between hose and connection
- simple to assemble
- suitable for re-use

##### Material

- coupling flange polyamide, grey
- bolts and nuts steel

**Data Table**

ERIKS art.no.	For int. diameter hose	Diameter bolt holes	Pitch circle	Size flange	Maximum ext. diameter	Totale length	Weight
	mm	mm	mm	mm	mm	mm	gr
11194086	65	5,5	58	76 x 76	98	80	130
11194087	80	6,5	73	91 x 91	114	80	160
11194088	100	6,5	93	111 x 111	138	80	190
11194089	120	6,5	113	131 x 131	165	90	300

