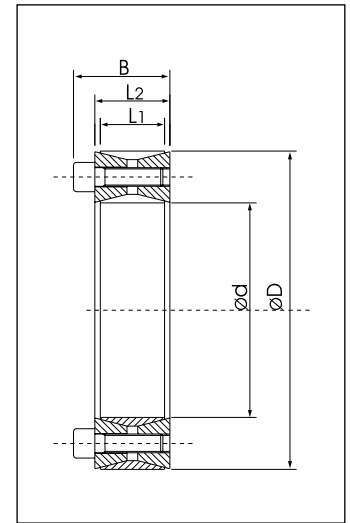
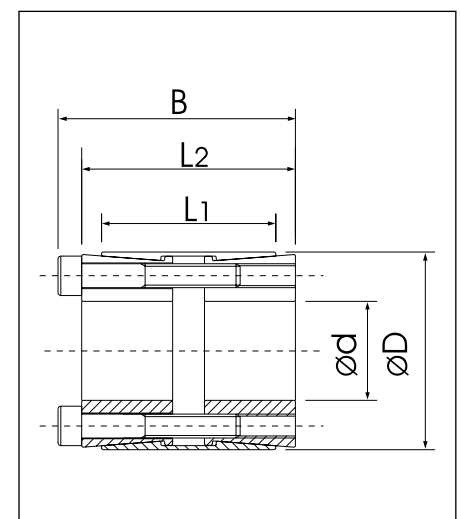


Product Code	d x D mm	L1 mm	L2 mm	B mm	Torque Mt Nm	Axial Thrust F ass. kN	Hub Stress Pn N/mm <sup>2</sup>	Tightening screws	
								Grade	Tightening Torque
								12.9	Ms Nm
630A0020	20 x 47	17	20	27.5	280	29	95	8 x M6	15
630A0022	22 x 47	17	20	27.5	310	29	95	8 x M6	15
630A0024	24 x 50	17	20	27.5	370	32	100	8 x M6	15
630A0025	25 x 50	17	20	27.5	400	32	100	8 x M6	15
630A0028	28 x 55	17	20	27.5	500	36	100	10 x M6	15
630A0030	30 x 55	17	20	27.5	530	36	100	10 x M6	15
630A0032	32 x 60	17	20	27.5	680	42	110	12 x M6	15
630A0035	35 x 60	17	20	27.5	750	43	110	12 x M6	15
630A0038	38 x 65	17	20	27.5	930	49	115	14 x M6	15
630A0040	40 x 65	17	20	27.5	980	49	115	14 x M6	15
630A0042	42 x 75	20	24	33.5	1580	75	130	12 x M8	37
630A0045	45 x 75	20	24	33.5	1700	76	130	12 x M8	37
630A0048	48 x 80	20	24	33.5	1790	74	120	12 x M8	37
630A0050	50 x 80	20	24	33.5	1870	75	120	12 x M8	37
630A0055	55 x 85	20	24	33.5	2390	88	135	14 x M8	37
630A0060	60 x 90	20	24	33.5	2610	88	125	14 x M8	37
630A0065	65 x 95	20	24	33.5	3210	98	135	16 x M8	37
630A0070	70 x 110	24	28	39.5	4600	132	130	14 x M10	70
630A0075	75 x 115	24	28	39.5	4900	131	125	14 x M10	70
630A0080	80 x 120	24	28	39.5	5200	131	120	14 x M10	70
630A0085	85 x 125	24	28	39.5	6300	148	130	15 x M10	70
630A0090	90 x 130	24	28	39.5	6600	147	125	16 x M10	70
630A0095	95 x 135	24	28	39.5	7900	167	135	18 x M10	70
630A0100	100 x 145	26	33	47.0	9750	195	135	14 x M12	127
630A0110	110 x 155	26	33	47.0	10650	194	125	14 x M12	127
630A0120	120 x 165	26	33	47.0	13300	221	135	16 x M12	127
630A0130	130 x 180	34	38	52.0	17850	276	115	20 x M12	127
630A0140	140 x 190	34	38	52.0	21200	302	125	22 x M12	127
630A0150	150 x 200	34	38	52.0	24500	329	125	24 x M12	127
630A0160	160 x 210	34	38	52.0	28400	355	130	26 x M12	127
630A0170	170 x 225	38	44	60.0	33600	396	120	22 x M14	195
630A0180	180 x 235	38	44	60.0	38700	431	130	24 x M14	195
630A0190	190 x 250	46	52	68.0	44700	502	120	28 x M14	195
630A0200	200 x 260	46	52	68.0	53500	538	120	30 x M14	195
630A0220	220 x 285	50	56	74.0	68500	630	120	28 x M16	300
630A0240	240 x 305	50	56	74.0	86000	717	130	30 x M16	300
630A0260	260 x 325	50	56	74.0	105000	810	135	34 x M16	300
630A0280	280 x 355	60	66	86.5	128500	920	120	32 x M18	410
630A0300	300 x 375	60	66	86.5	153600	1025	125	36 x M18	410
630A0320	320 x 405	72	78	100.5	210500	1325	125	36 x M20	590
630A0340	340 x 425	72	78	100.5	225000	1325	120	36 x M20	590
630A0360	360 x 455	84	90	116.0	294700	1635	120	36 x M22	790
630A0380	380 x 475	84	90	116.0	309100	1625	120	36 x M22	790
630A0400	400 x 495	84	90	116.0	321900	1617	110	36 x M22	790
630A0420	420 x 515	84	90	116.0	374000	1780	110	40 x M22	790
630A0440	440 x 545	96	102	130.0	455000	2060	105	40 x M24	1000
630A0460	460 x 565	96	102	130.0	470000	2040	100	40 x M24	1000
630A0480	480 x 585	96	102	130.0	515000	2160	100	42 x M24	1000
630A0500	500 x 605	96	102	130.0	560000	2240	100	44 x M24	1000
630A0520	520 x 630	96	102	130.0	600000	2320	100	45 x M24	1000
630A0540	540 x 650	96	102	130.0	630000	2340	100	45 x M24	1000
630A0560	560 x 670	96	102	130.0	680000	2440	100	48 x M24	1000
630A0580	580 x 690	96	102	130.0	735000	2540	100	50 x M24	1000
630A0600	600 x 710	96	102	130.0	775000	2580	100	50 x M24	1000
630A0620	620 x 730	96	102	130.0	825000	2660	100	52 x M24	1000
630A0640	640 x 750	96	102	130.0	865000	2700	100	54 x M24	1000
630A0660	660 x 770	96	102	130.0	925000	2800	100	56 x M24	1000
630A0680	680 x 790	96	102	130.0	965000	2840	100	56 x M24	1000
630A0700	700 x 810	96	102	130.0	1030000	2960	100	60 x M24	1000
630A0720	720 x 830	96	102	130.0	1070000	2980	100	60 x M24	1000
630A0740	740 x 850	96	102	130.0	1140000	3080	100	62 x M24	1000
630A0760	760 x 870	96	102	130.0	1210000	3180	100	64 x M24	1000
630A0780	780 x 890	96	102	130.0	1250000	3220	100	65 x M24	1000
630A0800	800 x 910	96	102	130.0	1300000	3260	100	66 x M24	1000
630A0820	820 x 930	96	102	130.0	1370000	3340	100	68 x M24	1000
630A0840	840 x 950	96	102	130.0	1450000	3460	100	70 x M24	1000
630A0860	860 x 970	96	102	130.0	1520000	3540	100	72 x M24	1000
630A0880	880 x 990	96	102	130.0	1590000	3620	100	74 x M24	1000
630A0900	900 x 1010	96	102	130.0	1650000	3680	100	75 x M24	1000

FenLock clamping elements type FLK 200 non self-centering

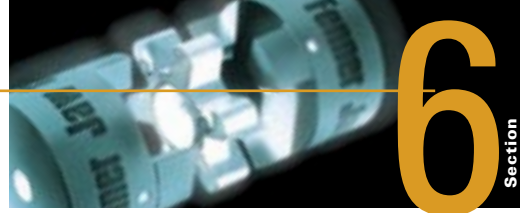


FenLock clamping elements type FLK 450 self-centering

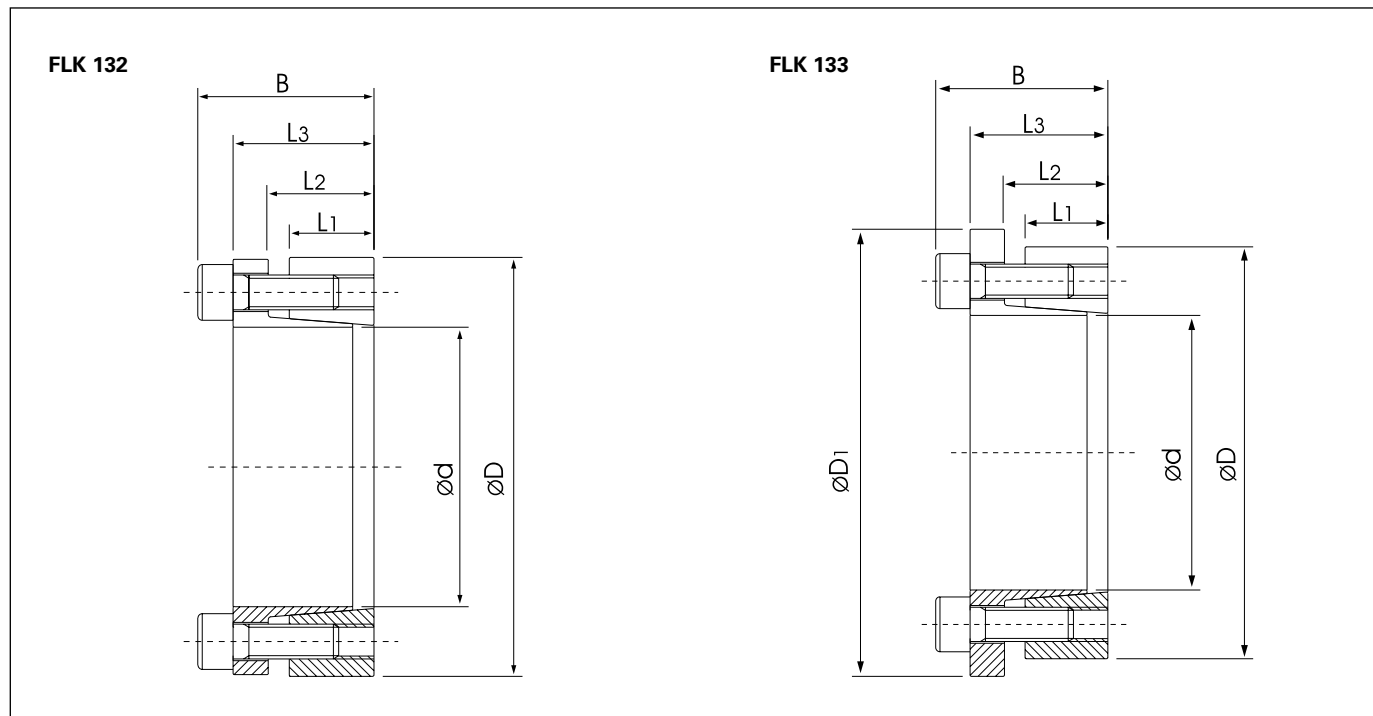


Product Code	d x D mm	L1 mm	L2 mm	B mm	Torque Mt Nm	Axial Thrust F ass. kN	Hub Stress pn N/mm <sup>2</sup>	Tightening screws	
								Grade	Tightening Torque
								12.9	Ms Nm
630X0045	45 x 75	56	64	72.0	3150	141	105	8 x M8	41
630X0048	48 x 80	56	64	72.0	4000	166	98	8 x M8	41
630X0050	50 x 80	56	64	72.0	4150	166	98	8 x M8	41
630X0055	55 x 85	56	64	72.0	4550	166	93	8 x M8	41
630X0060	60 x 90	56	61	72.0	6200	207	109	10 x M8	41
630X0065	65 x 95	56	64	72.0	6750	207	104	10 x M8	41
630X0070	70 x 110	70	78	88.0	11550	330	114	10 x M10	83
630X0075	75 x 115	70	78	88.0	12350	330	109	10 x M10	83
630X0080	80 x 120	70	78	88.0	15800	396	125	12 x M10	83
630X0085	85 x 125	70	78	88.0	16800	396	120	12 x M10	83
630X0090	90 x 130	70	78	88.0	17800	396	115	12 x M10	83
630X0095	95 x 135	70	78	88.0	18800	396	111	12 x M10	83
630X0100	100 x 145	90	100	112.0	28800	576	117	12 x M12	145
630X0110	110 x 155	90	100	112.0	31700	576	110	12 x M12	145
630X0120	120 x 165	90	100	112.0	40300	673	120	14 x M12	145
630X0130	130 x 180	104	116	130.0	51400	791	112	12 x M14	230
630X0140	140 x 190	104	116	130.0	64600	923	124	14 x M14	230
630X0150	150 x 200	104	116	130.0	79100	1055	135	16 x M14	230
630X0160	160 x 210	104	116	130.0	84400	1055	128	16 x M14	230
630X0170	170 x 225	134	146	162.0	109000	1283	113	14 x M16	355
630X0180	180 x 235	134	146	162.0	132000	1466	124	16 x M16	355
630X0190	190 x 250	134	146	162.0	139000	1466	116	16 x M16	355
630X0200	200 x 260	134	146	162.0	146500	1466	112	16 x M16	355

Fenlock™ Cone Clamping Element Dimensions



FENLOCK CLAMPING ELEMENTS TYPE FLK 132 + FLK 133 SELF-CENTERING



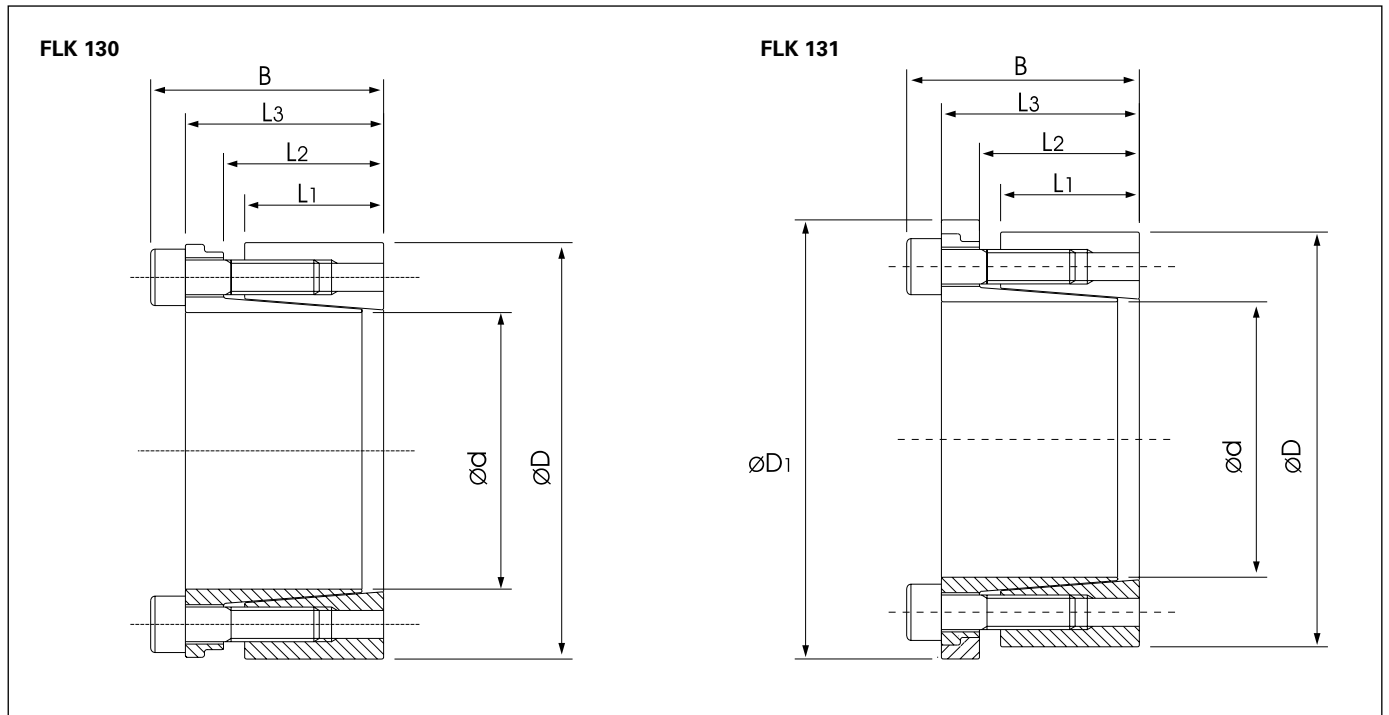
Product Code	d x D mm	L1 mm	L2 mm	L3 mm	B mm	FLK 133 Only D1 mm	Tightening Screws			FLK 132			FLK 133		
							Grade 12.9	Tightening torque Ms Nm		Torque Mt Nm	Axial Thrust F ass. kN	Hub Stress Pn N/mm <sup>2</sup>	Torque Mt Nm	Axial Thrust F ass. kN	Hub Stress Pn N/mm <sup>2</sup>
								No. x type	FLK 132						
630 R/G 0020	<b>20 x 47</b>	17	22	28	34	54	5 x M6	14	17	380	38	125	280	28	95
630 R/G 0022	<b>22 x 47</b>	17	22	28	34	54	5 x M6	14	17	410	38	125	300	28	95
630 R/G 0024	<b>24 x 50</b>	17	22	28	34	57	5 x M6	14	17	450	38	120	330	28	90
630 R/G 0025	<b>25 x 50</b>	17	22	28	34	57	6 x M6	14	17	570	46	140	420	34	105
630 R/G 0028	<b>28 x 55</b>	17	22	28	34	62	6 x M6	14	17	630	46	130	470	34	95
630 R/G 0030	<b>30 x 55</b>	17	22	28	34	62	6 x M6	14	17	660	46	130	500	34	95
630 R/G 0032	<b>32 x 60</b>	17	22	28	34	67	8 x M6	14	17	970	60	155	720	45	115
630 R/G 0035	<b>35 x 60</b>	17	22	28	34	67	8 x M6	14	17	1060	60	155	790	45	115
630 R/G 0038	<b>38 x 65</b>	17	22	28	34	72	8 x M6	14	17	1150	60	145	850	45	105
630 R/G 0040	<b>40 x 65</b>	17	22	28	34	72	8 x M6	14	17	1210	60	145	900	45	105
630 R/G 0042	<b>42 x 75</b>	20	25	33	41	82	7 x M8	35	41	2050	98	170	1530	73	125
630 R/G 0045	<b>45 x 75</b>	20	25	33	41	82	7 x M8	35	41	2200	98	170	1650	73	125
630 R/G 0048	<b>48 x 80</b>	20	25	33	41	87	7 x M8	35	41	2350	98	160	1760	73	120
630 R/G 0050	<b>50 x 80</b>	20	25	33	41	87	7 x M8	35	41	2450	98	160	1830	73	120
630 R/G 0055	<b>55 x 85</b>	20	25	33	41	92	8 x M8	35	41	3080	112	175	2300	83	130
630 R/G 0060	<b>60 x 90</b>	20	25	33	41	97	8 x M8	35	41	3360	112	165	2510	83	125
630 R/G 0065	<b>65 x 95</b>	20	25	33	41	102	9 x M8	35	41	4090	126	175	3060	94	130
630 R/G 0070	<b>70 x 110</b>	24	30	40	50	117	8 x M10	70	83	6300	179	180	4670	133	135
630 R/G 0075	<b>75 x 115</b>	24	30	40	50	122	8 x M10	70	83	6700	179	170	5000	133	125
630 R/G 0080	<b>80 x 120</b>	24	30	40	50	127	8 x M10	70	83	7150	179	170	5300	133	125
630 R/G 0085	<b>85 x 125</b>	24	30	40	50	132	9 x M10	70	83	8500	200	180	6300	148	135
630 R/G 0090	<b>90 x 130</b>	24	30	40	50	137	9 x M10	70	83	9100	200	170	6750	148	130
630 R/G 0095	<b>95 x 135</b>	24	30	40	50	142	10 x M10	70	83	10600	224	180	7900	166	135
630 R/G 0100	<b>100 x 145</b>	26	32	44	56	152	8 x M12	125	145	13400	268	190	9700	194	140
630 R/G 0110	<b>110 x 155</b>	26	32	44	56	162	8 x M12	125	145	14600	268	180	10600	194	130
630 R/G 0120	<b>120 x 165</b>	26	32	44	56	172	9 x M12	125	145	17900	298	180	13000	216	135
630 R/G 0130	<b>130 x 180</b>	34	40	54	66	187	12 x M12	125	145	26000	400	170	18900	290	125
630 R/G 0140	<b>140 x 190</b>	34	40	54	68	197	9 x M14	190	230	27000	384	150	20500	290	120
630 R/G 0150	<b>150 x 200</b>	34	40	54	68	207	10 x M14	190	230	33000	440	170	25000	333	130
630 R/G 0160	<b>160 x 210</b>	34	40	54	68	217	11 x M14	190	230	38000	479	170	29000	362	135
630 R/G 0170	<b>170 x 225</b>	44	50	64	78	232	12 x M14	190	230	45000	530	130	34000	400	105
630 R/G 0180	<b>180 x 235</b>	44	50	64	78	242	12 x M14	190	230	47000	530	130	36000	400	105
630 R/G 0190	<b>190 x 250</b>	44	50	64	78	257	15 x M14	190	230	62900	660	150	47500	500	120
630 R/G 0200	<b>200 x 260</b>	44	50	64	78	267	15 x M14	190	230	66000	660	150	50000	500	115

R = FLK 132 G = FLK 133

NOTE: It is possible to reduce the screw tightening torque down to 60% of the values indicated in above table; as a result Mt & F ass, are reduced proportionally.

SHAFT FIXINGS

FENLOCK CLAMPING ELEMENTS TYPE FLK 130 + FLK 131 SELF CENTERING

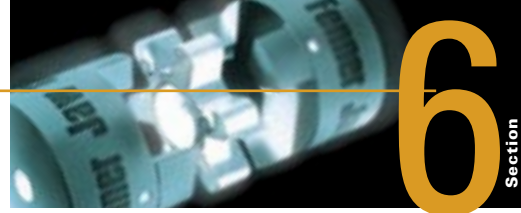


Product Code	d x D mm	L1 mm	L2 mm	L3 mm	B mm	FLK 131 Only D1 mm	Tightening Screws		FLK 130			FLK 131		
							Grade 12.9	Tightening torque	Torque	Axial Thrust	Hub Stress	Torque	Axial Thrust	Hub Stress
							No. x type	Ms Nm	Mt Nm	F ass. kN	Pn N/mm <sup>2</sup>	Mt Nm	F ass. kN	Pn N/mm <sup>2</sup>
630 C/D 0020	<b>20 x 47</b>	26	30	41	47	53	6 x M6	17	540	54	120	330	34	75
630 C/D 0022	<b>22 x 47</b>	26	30	41	47	53	6 x M6	17	600	54	120	370	34	75
630 C/D 0024	<b>24 x 50</b>	26	30	41	47	56	6 x M6	17	650	54	115	400	34	70
630 C/D 0025	<b>25 x 50</b>	26	30	41	47	56	6 x M6	17	680	54	115	420	34	70
630 C/D 0028	<b>28 x 55</b>	26	30	41	47	61	6 x M6	17	760	54	105	470	34	65
630 C/D 0030	<b>30 x 55</b>	26	30	41	47	61	6 x M6	17	820	54	105	510	34	65
630 C/D 0032	<b>32 x 60</b>	26	30	41	47	66	9 x M6	17	1160	73	125	720	45	80
630 C/D 0035	<b>35 x 60</b>	26	30	41	47	66	9 x M6	17	1270	73	125	790	45	80
630 C/D 0038	<b>38 x 65</b>	26	30	41	47	71	9 x M6	17	1380	73	115	860	45	70
630 C/D 0040	<b>40 x 65</b>	26	30	41	47	71	9 x M6	17	1450	73	115	900	45	70
630 C/D 0042	<b>42 x 75</b>	30	35	49	57	81	6 x M8	41	2130	101	120	1320	63	75
630 C/D 0045	<b>45 x 75</b>	30	35	49	57	81	6 x M8	41	2280	101	120	1410	63	75
630 C/D 0048	<b>48 x 80</b>	30	35	49	57	86	6 x M8	41	2430	101	115	1510	63	70
630 C/D 0050	<b>50 x 80</b>	30	35	49	57	86	6 x M8	41	2530	101	115	1570	63	70
630 C/D 0055	<b>55 x 85</b>	30	35	49	57	91	9 x M8	41	3700	135	140	2310	84	90
630 C/D 0060	<b>60 x 90</b>	30	35	49	57	96	9 x M8	41	4000	135	135	2520	84	85
630 C/D 0065	<b>65 x 95</b>	30	35	49	57	102	9 x M8	41	4380	135	125	2730	84	80
630 C/D 0070	<b>70 x 110</b>	40	45	59	69	117	7 x M10	83	7500	214	130	4650	133	80
630 C/D 0075	<b>75 x 115</b>	40	45	59	69	122	7 x M10	83	8000	214	125	5000	133	80
630 C/D 0080	<b>80 x 120</b>	40	45	59	69	127	7 x M10	83	8560	214	120	5330	133	75
630 C/D 0085	<b>85 x 125</b>	40	45	59	69	132	8 x M10	83	11370	268	145	7080	167	90
630 C/D 0090	<b>90 x 130</b>	40	45	59	69	137	8 x M10	83	12000	268	135	7500	167	85
630 C/D 0095	<b>95 x 135</b>	40	45	59	69	142	10 x M10	83	12600	268	130	7900	167	85
630 C/D 0100	<b>100 x 145</b>	46	52	68	80	153	7 x M12	145	15580	312	125	9700	194	80
630 C/D 0110	<b>110 x 155</b>	46	52	68	80	163	7 x M12	145	17100	312	115	10650	194	75
630 C/D 0120	<b>120 x 165</b>	46	52	68	80	173	8 x M12	145	23370	390	135	14550	243	85
630 C/D 0130	<b>130 x 180</b>	46	52	68	80	188	10 x M12	145	30380	467	150	18950	291	95
630 C/D 0140	<b>140 x 190</b>	50	57	76	90	199	11 x M14	230	29900	428	120	18650	267	75
630 C/D 0150	<b>150 x 200</b>	50	57	76	90	209	12 x M14	230	40000	535	145	25000	333	90
630 C/D 0160	<b>160 x 210</b>	50	57	76	90	219	13 x M14	230	42750	535	135	26650	333	85
630 C/D 0170	<b>170 x 225</b>	50	57	76	90	234	14 x M14	230	54500	641	150	34000	400	95
630 C/D 0180	<b>180 x 235</b>	50	57	76	90	244	14 x M14	230	57700	641	145	36000	400	90

C = FLK 130 D = FLK 131

NOTE: It is possible to reduce the screw tightening torque down to 60% of the values indicated in above table; as a result Mt & F ass, are reduced proportionally.

Fenlock™ Cone Clamping Element Dimensions

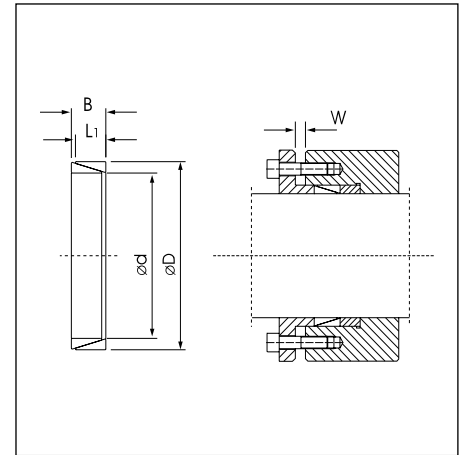


Section 6

FENLOCK CLAMPING ELEMENTS TYPE FLK 300 NON SELF-CENTERING

Product Code	Dimensions			Pre-load force Pt N	Total force Pa N	Torque Mt Nm	Axial thrust F ass kN	Distance W before tightening *				Hub Stress Pn N/mm²
	d x D mm	B mm	L1 mm					1 mm	2 mm	3 mm	4 mm	
630T0006	6 x 9	4.5	3.7	-	3800	2	0.84	2.5	2.5	3.0	4.0	75
630T0007	7 x 10	4.5	3.7	-	3900	3	0.86	2.5	2.5	3.0	4.0	70
630T0008	8 x 11	4.5	3.7	-	5300	5	1.17	2.5	2.5	3.0	4.0	90
630T0009	9 x 12	4.5	3.7	7650	15600	8	1.76	2.5	2.5	3.0	4.0	105
630T0010	10 x 13	4.5	3.7	7000	15600	10	1.91	2.5	2.5	3.0	4.0	105
630T0012	12 x 15	4.5	3.7	7000	15600	11	1.91	2.5	2.5	3.0	4.0	90
630T0013	13 x 16	4.5	3.7	6500	15600	13	2.02	2.5	2.5	3.0	4.0	90
630T0014	14 x 18	6.3	5.3	11000	25400	22	3.18	3.5	3.5	4.5	5.5	90
630T0015	15 x 19	6.3	5.3	10800	25400	24	3.24	3.5	3.5	4.5	5.5	85
630T0016	16 x 20	6.3	5.3	10000	25400	27	3.42	3.5	3.5	4.5	5.5	85
630T0017	17 x 21	6.3	5.3	9600	25400	30	3.51	3.5	3.5	4.5	5.5	85
630T0018	18 x 22	6.3	5.3	9150	25400	32	3.61	3.5	3.5	4.5	5.5	80
630T0019	19 x 24	6.3	5.3	12500	36000	49	5.22	3.5	3.5	4.5	5.5	110
630T0020	20 x 25	6.3	5.3	12000	36000	53	5.33	3.5	3.5	4.5	5.5	105
630T0022	22 x 26	6.3	5.3	9000	36000	66	6.00	3.5	3.5	4.5	5.5	115
630T0024	24 x 28	6.3	5.3	8400	36000	73	6.13	3.5	3.5	4.5	5.5	110
630T0025	25 x 30	6.3	5.3	10000	36000	72	5.77	3.5	3.5	4.5	5.5	95
630T0028	28 x 32	6.3	5.3	7500	36000	88	6.33	3.5	3.5	4.5	5.5	100
630T0030	30 x 35	6.3	5.3	8600	36000	91	6.08	3.5	3.5	4.5	5.5	85
630T0032	32 x 36	6.3	5.3	7900	45000	131	8.24	3.5	3.5	4.5	5.5	115
630T0035	35 x 40	7.0	6.0	10000	54000	171	9.77	3.5	3.5	4.5	5.5	110
630T0036	36 x 42	7.0	6.0	11700	54000	169	9.39	3.5	3.5	4.5	5.5	100
630T0038	38 x 44	7.0	6.0	11000	54000	181	9.55	3.5	3.5	4.5	5.5	95
630T0040	40 x 45	8.0	6.6	13900	66000	231	11.57	3.5	4.5	5.5	6.5	105
630T0042	42 x 48	8.0	6.6	15550	66000	235	11.22	3.5	4.5	5.5	6.5	95
630T0045	45 x 52	10.0	8.6	28300	99000	353	15.71	3.5	4.5	5.5	6.5	95
630T0048	48 x 55	10.0	8.6	24700	132000	572	23.84	3.5	4.5	5.5	6.5	135
630T0050	50 x 57	10.0	8.6	23600	132000	602	24.08	3.5	4.5	5.5	6.5	130
630T0055	55 x 62	10.0	8.6	21700	132000	670	24.35	3.5	4.5	5.5	6.5	125
630T0060	60 x 68	12.0	10.4	27500	157200	860	28.60	3.5	4.5	5.5	7.0	110
630T0063	63 x 71	12.0	10.4	26500	157200	910	28.80	3.5	4.5	5.5	7.0	105
630T0065	65 x 73	12.0	10.4	25500	157200	950	29.20	3.5	4.5	5.5	7.0	100
630T0070	70 x 79	14.0	12.2	31000	209600	1380	39.40	3.5	5.0	6.5	7.5	110
630T0071	71 x 80	14.0	12.2	31000	209600	1400	39.40	3.5	5.0	6.5	7.5	110
630T0075	75 x 84	14.0	12.2	34700	209600	1450	38.60	3.5	5.0	6.5	7.5	100
630T0080	80 x 91	17.0	15.0	48000	290000	2200	55.00	4.0	6.0	6.5	8.0	105
630T0085	85 x 96	17.0	15.0	45500	305000	2400	56.40	4.0	6.0	6.5	8.0	105
630T0090	90 x 101	17.0	15.0	43600	320000	2730	60.50	4.0	6.0	6.5	8.0	105
630T0095	95 x 106	17.0	15.0	41300	330000	3050	64.20	4.0	6.0	6.5	8.0	110
630T0100	100 x 114	21.0	18.7	61000	445000	4200	84.00	5.0	6.0	7.0	9.0	105
630T0110	110 x 124	21.0	18.7	66000	485000	5150	93.60	5.0	6.0	7.0	9.0	105
630T0120	120 x 134	21.0	18.7	60300	510000	6050	100.80	5.0	6.0	7.0	9.0	105
630T0130	130 x 148	28.0	25.3	96300	765000	9600	147.60	5.0	7.0	9.0	11.0	105
630T0140	140 x 158	28.0	25.3	89000	800500	11000	158.50	6.0	7.0	9.0	11.0	105
630T0160	160 x 178	28.0	25.3	78600	900000	14800	182.50	6.0	7.0	9.0	11.0	110
630T0170	170 x 191	33.0	30.0	117400	1160000	19500	229.00	7.0	9.0	10.0	12.0	105
630T0180	180 x 201	33.0	30.0	111300	1200000	21300	236.00	7.0	9.0	10.0	12.0	105
630T0190	190 x 211	33.0	30.0	105000	1260000	24200	255.00	7.0	9.0	10.0	12.0	110
630T0200	200 x 224	38.0	34.8	134200	1550000	31000	310.00	7.0	8.0	11.0	13.0	105
630T0210	210 x 234	38.0	34.8	127200	1610000	35000	333.00	7.0	8.0	11.0	13.0	110
630T0220	220 x 244	38.0	34.8	122100	1690000	38000	345.00	7.0	9.0	11.0	13.0	110
630T0230	230 x 257	43.0	39.5	164500	2000000	47000	408.00	7.0	10.0	12.0	14.0	105
630T0240	240 x 267	43.0	39.5	157400	2250000	51000	425.00	7.0	10.0	12.0	14.0	110
630T0250	250 x 280	48.0	44.0	190000	2060000	52000	415.00	7.0	10.0	13.0	16.0	89
630T0260	260 x 290	48.0	44.0	182000	2132000	56500	435.00	7.0	10.0	13.0	16.0	89
630T0270	270 x 300	48.0	44.0	177000	2207000	61000	450.00	7.0	10.0	13.0	16.0	89
630T0280	280 x 313	53.0	49.0	206000	2536000	72500	520.00	7.0	11.0	14.0	17.0	89
630T0290	290 x 323	53.0	49.0	222000	2632000	77500	535.00	7.0	11.0	14.0	17.0	89
630T0300	300 x 333	53.0	49.0	214000	2704000	83000	555.00	7.0	11.0	14.0	17.0	89
630T0320	320 x 360	65.0	59.0	292000	3492000	114000	710.00	10.0	15.0	20.0	25.0	89
630T0340	340 x 380	65.0	59.0	272000	3672000	128500	755.00	10.0	15.0	20.0	25.0	89
630T0360	360 x 400	65.0	59.0	258000	3858000	144000	800.00	10.0	15.0	20.0	25.0	90
630T0380	380 x 420	65.0	59.0	269000	4069000	160500	845.00	10.0	15.0	20.0	25.0	90
630T0400	400 x 440	65.0	59.0	256000	4256000	179500	890.00	10.0	15.0	20.0	25.0	90
630T0420	420 x 460	65.0	59.0	244000	4444000	196000	935.00	10.0	15.0	20.0	25.0	90
630T0440	440 x 480	65.0	59.0	234000	4633000	215000	980.00	10.0	15.0	20.0	25.0	90
630T0460	460 x 500	65.0	59.0	224000	4824000	235000	1020.00	10.0	15.0	20.0	25.0	91
630T0480	480 x 520	65.0	59.0	239000	5039000	256000	1070.00	10.0	15.0	20.0	25.0	91
630T0500	500 x 540	65.0	59.0	229000	5229000	278000	1110.00	10.0	15.0	20.0	25.0	91
630T0520	520 x 570	80.0	73.0	338000	6788000	372000	1430.00	12.0	18.0	24.0	30.0	91
630T0540	540 x 590	80.0	73.0	326000	7026000	400000	1480.00	12.0	18.0	24.0	30.0	91

FENLOCK CLAMPING ELEMENTS TYPE FLK 300 NON SELF-CENTERING



For appropriate thrust collar dimensions – consult your local Authorised Distributor.

\* Several FLK 300 clamping elements can be used in series to achieve higher torques.

W is the minimum clearance distance for tightening 1, 2, 3, & 4 elements.

For multiple elements, Mt is multiplied by:

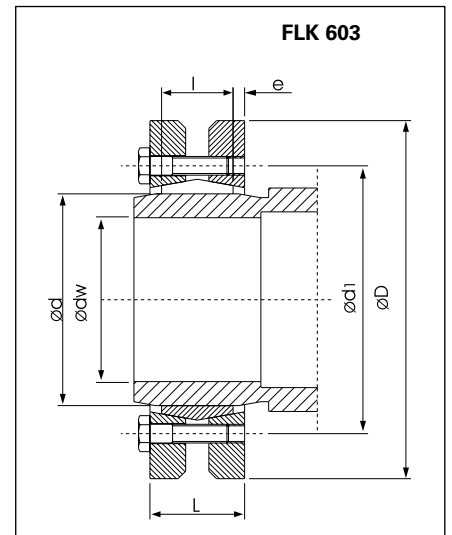
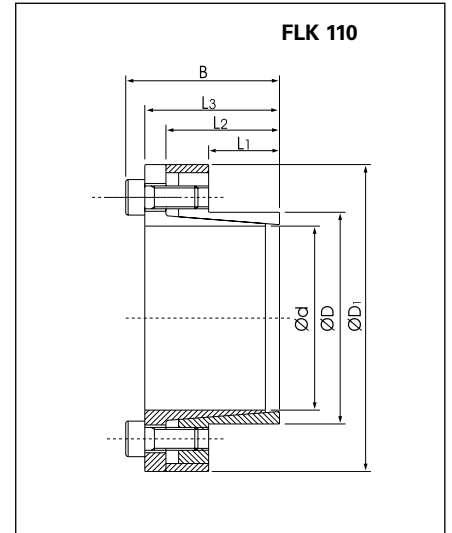
- 2 elements Mt x 1.55
- 3 elements Mt x 1.85
- 4 elements Mt x 2.02

FENLOCK CLAMPING ELEMENTS TYPE FLK 250 L SELF-CENTERING

Product Code	d x D mm	B mm	L1 mm	D1 mm	Torque Mt Nm	Axial Thrust F ass. kN	Tightening nut		Hub Stress Pn N/mm²
							Type	Tightening torque Ms Nm	
630 F 0014	14 x 25	30	20	32	64	9	KM4	95	45
630 F 0015	15 x 25	30	20	32	70	9	KM4	95	45
630 F 0016	16 x 25	30	20	32	73	9	KM4	95	45
630 F 0017	17 x 25	32	20	32	80	9	KM4*	95	45
630 F 0018	18 x 30	32	20	38	100	10	KM5	160	45
630 F 0019	19 x 30	32	20	38	105	11	KM5	160	45
630 F 0020	20 x 30	32	20	38	112	11	KM5	160	45
630 F 0022	22 x 35	36	25	45	163	14	KM6	220	45
630 F 0024	24 x 35	36	25	45	178	14	KM6	220	45
630 F 0025	25 x 35	36	25	45	185	14	KM6	220	45
630 F 0028	28 x 40	42	30	52	250	17	KM7	340	40
630 F 0									

FENLOCK CLAMPING ELEMENTS TYPE FLK 110 SELF-CENTERING

Product Code	d x D mm	L1 mm	L2 mm	L3 mm	B mm	D1 mm	Torque Mt Nm	Axial Thrust F ass. kN	Tightening Screws		
									Grade 12.9	Tightening torque Ms Nm	Hub Stress Pn N/mm <sup>2</sup>
630B0006	6 x 14	10	18.5	21	24	25	12	4	3 x M3	2	80
630B0007	7 x 15	12	22.0	25	29	27	25	7	3 x M4	5	110
630B0008	8 x 15	12	22.0	25	29	27	29	7	3 x M4	5	110
630B0009	9 x 16	14	23.0	26	30	28	44	10	4 x M4	5	115
630B0010	10 x 16	14	23.0	26	30	28	49	10	4 x M4	5	115
630B0011	11 x 18	14	23.0	26	30	32	53	10	4 x M4	5	105
630B0012	12 x 18	14	23.0	26	30	32	58	10	4 x M4	5	105
630B0013	13 x 23	14	23.0	26	30	38	63	10	4 x M4	5	80
630B0014	14 x 23	14	23.0	26	30	38	68	10	4 x M4	5	80
630B0015	15 x 24	16	29.0	36	42	45	127	17	3 x M6	17	115
630B0016	16 x 24	16	29.0	36	42	45	136	17	3 x M6	17	115
630B0017	17 x 26	18	31.0	38	44	47	180	22	4 x M6	17	125
630B0018	18 x 26	18	31.0	38	44	47	200	22	4 x M6	17	125
630B0019	19 x 27	18	31.0	38	44	49	210	22	4 x M6	17	120
630B0020	20 x 28	18	31.0	38	44	50	220	22	4 x M6	17	115
630B0022	22 x 32	25	38.0	45	51	54	250	22	4 x M6	17	80
630B0024	24 x 34	25	38.0	45	51	56	270	22	4 x M6	17	75
630B0025	25 x 34	25	38.0	45	51	56	280	22	4 x M6	17	75
630B0028	28 x 39	25	38.0	45	51	61	465	33	6 x M6	17	97
630B0030	30 x 41	25	38.0	45	51	62	510	33	6 x M6	17	90
630B0032	32 x 43	25	38.0	45	51	65	540	33	6 x M6	17	90
630B0038	38 x 50	32	45.0	52	58	72	860	45	8 x M6	17	75
630B0040	40 x 53	32	45.0	52	58	75	900	45	8 x M6	17	70
630B0042	42 x 55	32	45.0	52	58	78	950	45	8 x M6	17	70
630B0045	45 x 59	45	62.0	70	78	86	1890	84	8 x M8	41	85
630B0048	48 x 62	45	62.0	70	78	87	2010	84	8 x M8	41	80
630B0050	50 x 65	45	62.0	70	78	92	2100	84	8 x M8	41	75
630B0055	55 x 71	55	72.0	80	88	98	2600	94	9 x M8	41	65
630B0060	60 x 77	55	72.0	80	88	104	2840	94	9 x M8	41	60
630B0065	65 x 84	55	72.0	80	88	111	3070	94	9 x M8	41	55
630B0070	70 x 90	65	86.0	96	106	119	5250	150	9 x M10	83	70
630B0075	75 x 95	65	86.0	96	106	126	5600	150	9 x M10	83	65
630B0080	80 x 100	65	86.0	96	106	131	8020	200	12 x M10	83	80
630B0085	85 x 106	65	86.0	96	106	137	8500	200	12 x M10	83	75
630B0090	90 x 112	65	86.0	96	106	144	9000	200	12 x M10	83	75
630B0095	95 x 120	65	86.0	96	106	149	11000	230	14 x M10	83	80
630B0100	100 x 125	65	86.0	96	106	154	15000	300	18 x M10	83	95
630B0110	110 x 140	90	114.0	128	140	180	16000	290	12 x M12	145	65
630B0120	120 x 155	90	114.0	128	140	198	17500	290	12 x M12	145	55
630B0130	130 x 165	90	114.0	128	140	208	25000	384	16 x M12	145	70



FENLOCK CLAMPING ELEMENTS TYPE FLK 603 STD. VERSION

Product Code	Type	Shaft dia. d	Torque Mt	Axial Thrust F ass.	Dimensions					Tightening screws 10.9	Tightening torque Ms	Contact Stress Pw	
					dw	D	l	L	d1				e
630 M 0014	14	11 12	30 50	6 9	38	7	11.0	23	2.00	4 x M5	4	186	
630 M 0016	16	13 14	70 90	10 13	41	11	15.0	26	2.00	5 x M5	4	130	
630 M 0024	24	19 20 21	170 210 250	25 27 29	50	14	19.5	36	2.75	6 x M5	4	286	
630 M 0030	30	24 25 26	300 340 380	29 31 33	60	16	21.5	44	2.75	7 x M5	4	233	
630 M 0036	36	28 30 31	440 570 630	50 58 58	72	18	23.5	52	2.75	5 x M6	12	307	
630 M 0044	44	32 35 36	620 780 860	64 74 77	80	20	25.5	61	2.75	7 x M6	12	317	
630 M 0050	50	38 40 42	940 1160 1380	79 86 92	90	22	27.5	70	2.75	8 x M6	12	289	
630 M 0055	55	42 45 48	1160 1520 1880	79 88 97	100	23	30.5	75	3.75	8 x M6	12	252	
630 M 0062	62	48 50 52	1850 2200 2400	100 111 117	110	23	30.5	86	3.75	10 x M6	12	279	
630 M 0068	68	50 55 60	2000 2500 3150	97 106 120	115	23	30.5	86	3.75	10 x M6	12	255	
630 M 0075	75	55 60 65	2500 3200 3950	119 137 155	138	25	32.5	100	3.75	7 x M8	30	273	
630 M 0080	80	60 65 70	3200 3900 4600	124 140 158	145	25	32.5	100	3.75	7 x M8	30	256	
630 M 0085	85	65 70 75	4800 6100 7400	175 195 216	155	30	39.0	114	4.50	10 x M8	30	285	
630 M 0090	90	65 70 75	4750 6000 7250	170 190 210	155	30	39.0	114	4.50	10 x M8	30	271	
630 M 0100	100	70 75 80	6900 7500 9000	195 220 240	170	34	44.0	124	5.00	12 x M8	30	258	
630 M 0110	110	75 80 85	7200 9000 10800	229 252 262	185	39	50.0	136	5.50	9 x M10	59	244	
630 M 0115	115	80 85 90	7400 9200 11100	235 259 269	188	39	50.0	141	5.50	9 x M10	59	234	
630 M 0120	120	80 85 90	10600 13300 14500	285 314 340	215	42	54.0	160	6.00	12 x M10	59	277	
630 M 0125	125	85 90 95	11000 13000 15000	296 324 352	215	42	54.0	160	6.00	12 x M10	59	266	
630 M 0130	130	90 95 100	11300 13300 15400	304 333 362	215	42	54.0	160	6.00	12 x M10	59	255	
630 M 0140	140	95 100 105	15100 17600 20100	367 396 425	230	46	60.5	175	7.25	10 x M12	100	264	

Product Code	Type	Shaft dia. d	Torque Mt	Axial Thrust F ass.	Dimensions					Tightening screws 10.9	Tightening torque Ms	Contact Stress Pw	
					dw	D	l	L	d1				e
630 M 0155	155	105 110 115	22000 25000 28000	447 478 509	265	50	64.5	192	7.25	12 x M12	100	263	
630 M 0160	160	110 115 120	22600 25700 28800	460 490 520	265	50	64.5	192	7.25	12 x M12	100	254	
630 M 0165	165	115 120 125	31000 35000 39000	595 630 655	290	56	71.0	210	7.50	8 x M16	250	277	
630 M 0170	170	120 125 130	31900 36000 40100	610 640 670	290	56	71.0	210	7.50	8 x M16	250	268	
630 M 0175	175	125 130 135	36000 41000 45000	605 639 675	300	56	71.0	220	7.50	8 x M16	250	261	
630 M 0180	180	130 135 140	37000 42200 46300	800 840 885	300	56	71.0	220	7.50	8 x M16	250	253	
630 M 0185	185	135 140 145	52000 57000 62000	778 819 861	330	71	86.0	236	7.50	10 x M16	250	244	
630 M 0190	190	140 145 150	53500 58700 63800	800 840 885	330	71	86.0	236	7.50	10 x M16	250	237	
630 M 0195	195	140 150 155	65000 76000 81500	933 1025 1071	350	71	86.0	246	7.00	12 x M16	250	277	
630 M 0200	200	150 155 160	74000 80000 86000	990 1035 1080	350	71	86.0	246	7.00	12 x M16	250	270	
630 M 0220	220	160 165 170	95000 102000 110000	1190 1239 1290	370	88	104.0	270	8.00	15 x M16	250	248	
630 M 0240	240	170 180 190	120000 138000 156000	1464 1576 1675	405	92	109.0	295	8.00	12 x M20	490	272	
630 M 0260	260	190 200 210	164000 184000 205000	1760 1880 2010	430	103	120.0	321	8.00	14 x M20	490	262	
630 M 0280	280	210 220 230	217000 244000 270000	2090 2220 2350	460	114	134.0	346	10.00	16 x M20	490	251	